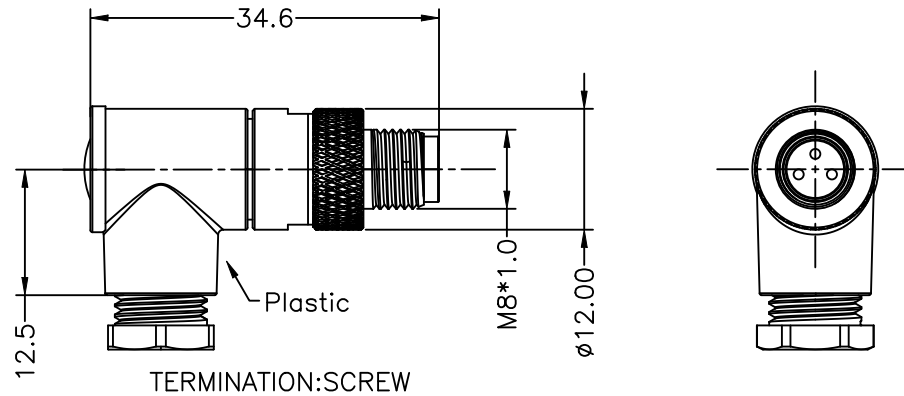
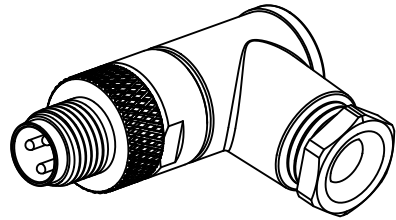


REV	DESCRIPTION	DATE	APPROVED
SO	CREATED DRAWING	2026/06/26	CZW




Electrical character

Rated voltage	50V AC/60V DC
Rated current	3A
Mechanical characteristics (mating cycle)	>100
Degree of protection (ISO-20653,IEC60529)	IP67
Operating temperature (depending on cable quality)	-25°C ~ +85°C
Destructive withstand force between connector and overmold exceeds	**kgf
Tightening torque (range)	/Nm
Pollution degree	3
ALL MATERIALS ARE RoHS COMPLIANT	



③	N/A	M8 REAR WATERPROOF ASSEMBLY	1	SET
②	N/A	M8 ELBOW PLASTIC HOUSING	1	SET
①	N/A	M8 A-CODED 3-PIN MALE CONNECTOR	1	SET
ITEM	PART NO.	SPECIFICATION	Q'TY	UNIT

 SIGNAL ®		TITLE M8 A 3P M ELBOW PLASTIC ASSY CONN	
ShenZhen Signal Electronics co.,Ltd		SGN NO 080103-01-003	REV.
DRAWN BY	DATE	DWG NO	
CHECKED BY	DATE	CUSTOMER	
CHECKED BY	DATE	SO	
APPROVED BY	DATE	TOLERANCES ARE:	
<small>THE INFORMATION CONTAINED IN THIS DRAWING IS THE SOLE PROPERTY OF SIGNAL COMPANY. ANY REPRODUCTION IN PART OR WHOLE WITHOUT THE WRITTEN PERMISSION OF SIGNAL COMPANY IS PROHIBITED.</small>		DECIMALES	ANGLES
		.x ±0.5	x.* ±2.0°
		.xx ±0.20	.x* ±1.0°
		THIRD ANGLE PROJECTION	SCALE: A4
		UNITS: mm	SHEET: 1 OF 1