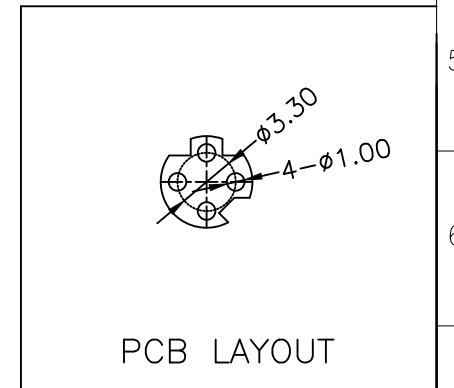
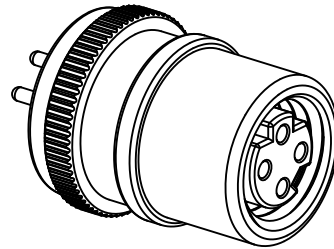
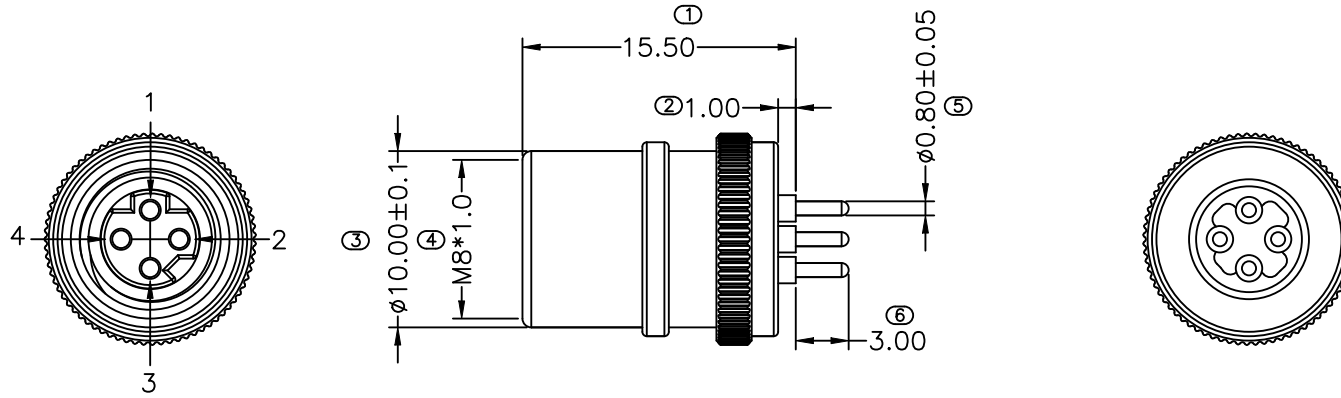

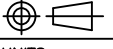


REV	DESCRIPTION	DATE	APPROVED
SO	CREATED DRAWING	2026/06/12	CZW



Electrical character

Rated voltage	60V
Rated current	4A
Mechanical characteristics (mating cycle)	>100
Degree of protection (ISO-20653, IEC60529)	IP67
Operating temperature (depending on cable quality)	-25°C ~ +85°C
Destructive withstand force between connector and overmold exceeds	N/A
Tightening torque (range)	/Nm
Pollution degree	3
*ALL MATERIALS ARE RoHS COMPLIANT*	

 <b>SIGNAL</b> <sup>®</sup> Shenzhen Signal Electronics Co., LTD		TITLE M8 D 4P F PANEL CONN (PCB, JUNCTION BOX USE)	
		SGN NO 080404-04-001	REV.
DRAWN BY		DATE	
CHECKED BY		DATE	
APPROVED BY		DATE	
<small>THE INFORMATION CONTAINED IN THIS DRAWING IS THE SOLE PROPERTY OF SIGNAL COMPANY. ANY REPRODUCTION IN PART OR WHOLE WITHOUT THE WRITTEN PERMISSION OF SIGNAL COMPANY IS PROHIBITED.</small>		TOLERANCES ARE: DECIMALES .x ±0.5 .xx ±0.20 ANGLES x.* ±2.0° .x.* ±1.0°	THIRD ANGLE PROJECTION  SIZE: A4 UNITS: mm SCALE: SHEET: 1 OF 1

ITEM	PART NO.	SPECIFICATION	Q'TY	UNIT
④	GL00002	GLUE	3	G
③	OR00004	GREEN O-Ring	1	PCS
②	N/A	M8 D TYPE 4PIN FEMALE CONNECTOR	1	SET
①	WK00363	M8 FEMALE SHELL	1	PCS