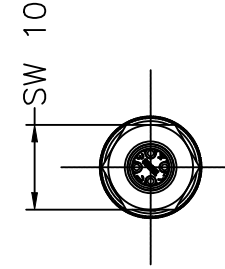
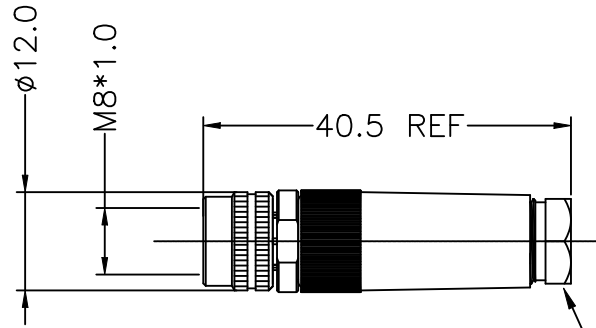
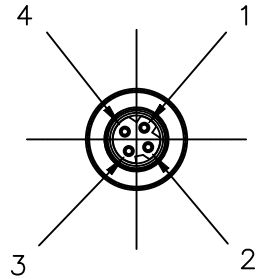


PROJECT NO:
SGNN2511023

REV	DESCRIPTION	DATE	APPROVED
S0	CREATED DRAWING	2025/06/02	CZW

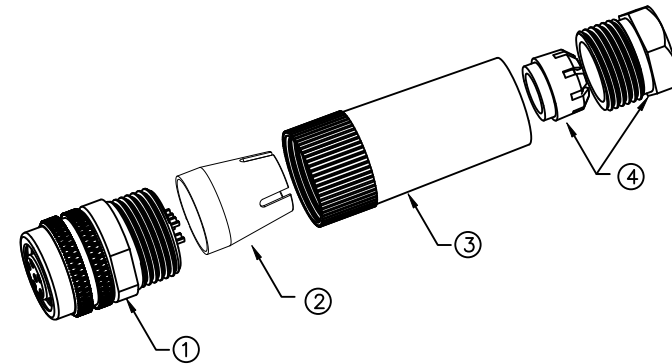



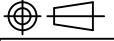
Cable OD:3~4.5

Terminal: solder

Electrical character

Rated voltage	60V
Rated current	4A
Mechanical characteristics (mating cycle)	>100
Degree of protection (ISO-20653,IEC60529)	IP67
Operating temperature (depending on cable quality)	-25°C ~ +85°C
Destructive withstand force between connector and overmold exceeds	**kgf
Tightening torque (range)	/
Pollution degree	3
ALL MATERIALS ARE RoHS COMPLIANT	



 SIGNAL [®] Shenzhen Signal Electronics co.,Ltd		TITLE M8 D-CODED 4-PIN FEMALE, METAL ASSEMBLED (SHIELDED)	
DRAWN BY		DATE	
CHECKED BY		DATE	
CHECKED BY		DATE	
APPROVED BY		DATE	
<small>THE INFORMATION CONTAINED IN THIS DRAWING IS THE SOLE PROPERTY OF SIGNAL COMPANY. ANY REPRODUCTION IN PART OR WHOLE WITHOUT THE WRITTEN PERMISSION OF SIGNAL COMPANY IS PROHIBITED.</small>		TOLERANCES ARE: DECIMALES ANGLES .x ±0.5 x.* ±2.0° .xx ±0.20 .x.* ±1.0°	
SGN NO 080404-02-001 REV.		DWG NO CUSTOMER SO	
SIZE: A4 UNITS: mm		THIRD ANGLE PROJECTION 	
SCALE: SHEET: 1 OF 1			

ITEM	PART NO.	SPECIFICATION	Q'TY	UNIT
④	N/A	M8 TAIL WATERPROOF PARTS	1	SET
③	N/A	M8 METAL ASSEMBLY SHELL	1	SET
②	N/A	M8 SHIELDING RING	1	SET
①	N/A	M8 D-CODED 4-PIN FEMALE CONNECTOR	1	SET