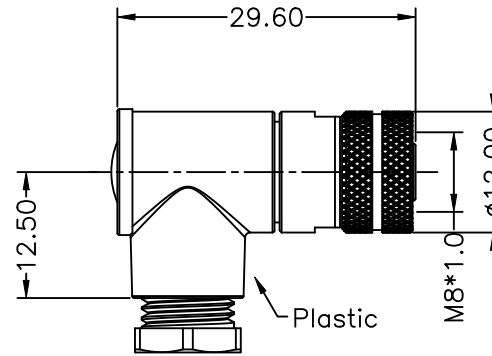
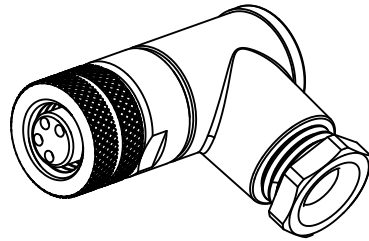
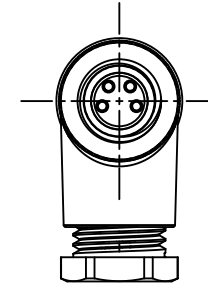


REV	DESCRIPTION	DATE	APPROVED
SO	CREATED DRAWING	2026/06/26	CZW

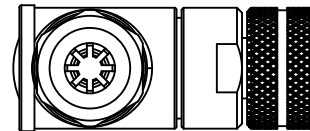


TERMINATION:SCREW



Electrical character

Rated voltage	50V AC/60V DC
Rated current	3A
Mechanical characteristics (mating cycle)	>100
Degree of protection (ISO-20653,IEC60529)	IP67
Operating temperature (depending on cable quality)	-25°C ~ +85°C
Destructive withstand force between connector and overmold exceeds	**kgf
Tightening torque (range)	/Nm
Pollution degree	3
ALL MATERIALS ARE RoHS COMPLIANT	



SIGNAL [®]		TITLE M8 A 4P F ELBOW PLASTIC ASSY CONN	
ShenZhen Signal Electronics co.,Ltd		SGN NO 080104-02-003	REV.
DRAWN BY	DATE	DWG NO	SO
CHECKED BY	DATE	CUSTOMER	
CHECKED BY	DATE	TOLERANCES ARE:	
APPROVED BY	DATE	DECIMALES	ANGLES
<small>THE INFORMATION CONTAINED IN THIS DRAWING IS THE SOLE PROPERTY OF SIGNAL COMPANY. ANY REPRODUCTION IN PART OR WHOLE WITHOUT THE WRITTEN PERMISSION OF SIGNAL COMPANY IS PROHIBITED.</small>		.x ±0.5	x.* ±2.0°
		.xx ±0.20	.x.* ±1.0°
		THIRD ANGLE PROJECTION	UNITS: mm
		SCALE:	SHEET: 1 OF 1

③	N/A	M8 REAR WATERPROOF ASSEMBLY	1	SET
②	N/A	M8 ELBOW PLASTIC HOUSING	1	SET
①	N/A	M8 A-CODED 4-PIN FEMALE CONNECTOR	1	SET
ITEM	PART NO.	SPECIFICATION	Q'TY	UNIT