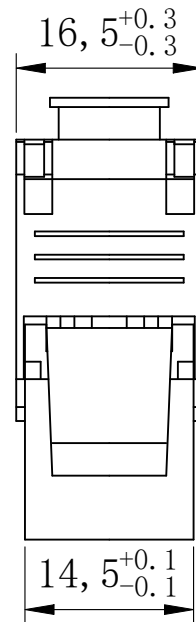
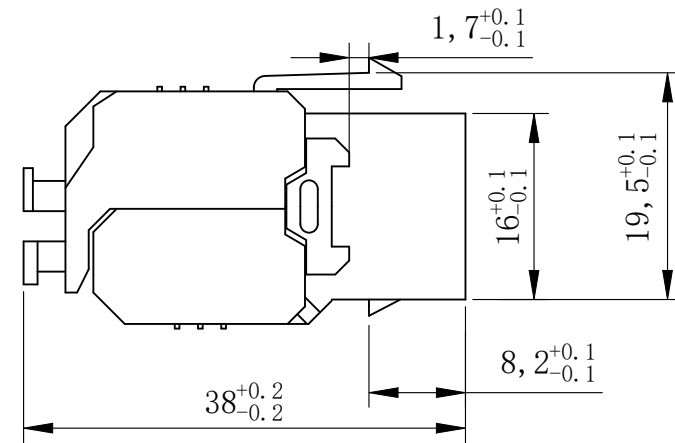
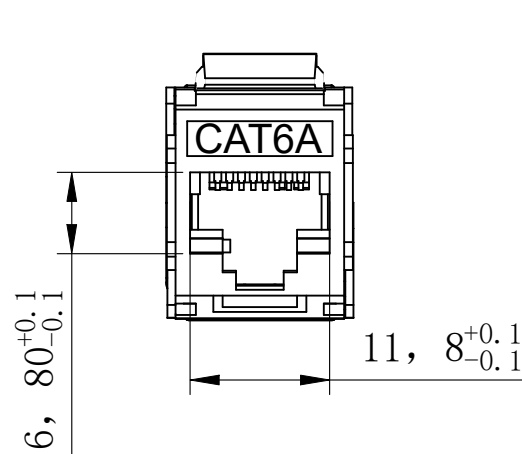

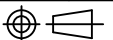


REV	DESCRIPTION	DATE	APPROVED
S0	CREATED DRAWING	2026/06/05	WJY



Electrical character

Rated voltage	/
Rated current	/
Mechanical characteristics (mating cycle)	>750
Degree of protection (ISO-20653, IEC60529)	/
Operating temperature (depending on cable quality)	-40°C +70°C
Destructive withstand force between connector and overmold exceeds	**kgf
Tightening torque (range)	/
Pollution degree	3
*ALL MATERIALS ARE RoHS COMPLIANT*	
*PRODUCTS COMPLY WITH IEC61076-2-010*	

 <b>SIGNAL</b> <sup>®</sup> Shenzhen Signal Electronics Co., LTD		TITLE CAT6A SH 10G TOOL-FREE METAL PLUG	
		SGN NO 940008-07-019-W	REV.
DRAWN BY	DATE	DWG NO SGNW2605062-2	S0
CHECKED BY	DATE	CUSTOMER	
CHECKED BY	DATE		
APPROVED BY	DATE		
<small>THE INFORMATION CONTAINED IN THIS DRAWING IS THE SOLE PROPERTY OF SIGNAL COMPANY. ANY REPRODUCTION IN PART OR WHOLE WITHOUT THE WRITTEN PERMISSION OF SIGNAL COMPANY IS PROHIBITED.</small>		TOLERANCES ARE: DECIMALES ANGLES .x ±0.5 x.' ±2.0' .xx ±0.20 .x' ±1.0'	THIRD ANGLE PROJECTION 
		SIZE: A4	UNITS: mm
		SCALE:	SHEET: