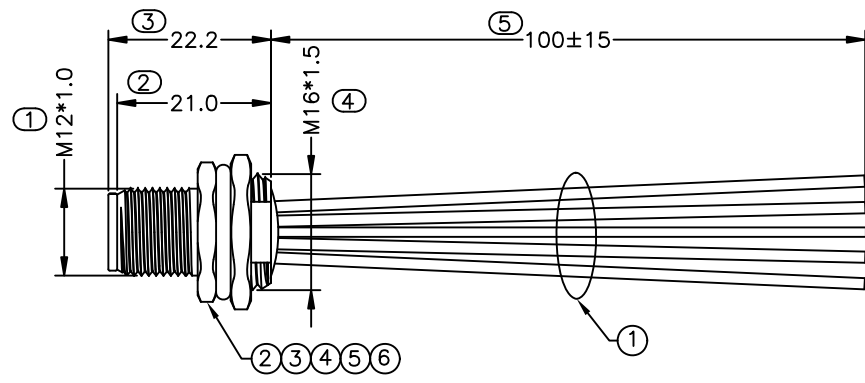
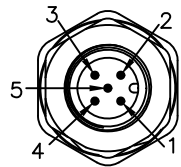


RECOMMEND  
PANEL CUT-OUT

PROJECT NO:  
\_\_\_\_\_

REV	DESCRIPTION	DATE	APPROVED
S0	CREATED DRAWING	2026/06/02	ZXL

P1



P2

Electrical character

Rated voltage	60V
Rated current	4A
Mechanical characteristics (mating cycle)	>100
Degree of protection (ISO-20653,IEC60529)	IP67(P1)
Operating temperature	-25°C ~ +80°C
Destructive withstand force between connector and overmold exceeds	/
Tightening torque (range)	0.4~1.0Nm
Pollution degree	3
*ALL MATERIALS ARE RoHS COMPLIANT*	

WIRE LIST

	P1	COLOR	P2
1		BROWN	OPEN
2		WHITE	
3		BLUE	
4		BLACK	
5		GREY	

ITEM	PART NO.	SPECIFICATION	Q'TY	UNIT
⑥	N/A	BLACK GLUE A/B (ETHOXYLINE RESIN)	2	g
⑤	N/A	O-RING GREEN FKM $\phi 13.0 \times \phi 2.0$ MM	1	PCS
④	N/A	M16*1.5 BRASS PLATED NI L*W=2.8*18mm	1	PCS
③	N/A	M12 BRASS WITH NI PLATED,MALE M16*1.5 L=21.0mm	1	PCS
②	N/A	M12 A CODING 5P/M CONNECTOR SHORT STYLE	1	SET
①	N/A	UL 1007 22 AWG ELECTRONIC WIRE	1	SET

**SIGNAL**<sup>®</sup>  
Shenzhen Signal Electronics co.,Ltd

DRAWN BY	DATE
CHECKED BY	DATE
CHECKED BY	DATE
APPROVED BY	DATE

THE INFORMATION CONTAINED IN THIS DRAWING IS THE SOLE PROPERTY OF SIGNAL COMPANY. ANY REPRODUCTION IN PART OR WHOLE WITHOUT THE WRITTEN PERMISSION OF SIGNAL COMPANY IS PROHIBITED.

TITLE  
M12 A 5P/M REAR MOUNT(M16\*1.5) TO OPEN CABLE

SGN NO	120105-03-831	REV.
DWG NO		
CUSTOMER		S0

TOLERANCES ARE:	THIRD ANGLE PROJECTION
DECIMALES .x ±0.5	ANGLES x.' ±2.0'
.xx ±0.20	.x' ±1.0'

SIZE: A4	UNITS: mm
SCALE: 1:1	SHEET: 1 OF 1