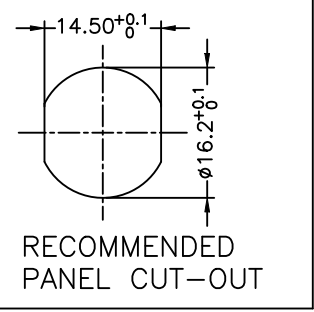


REV	DESCRIPTION	DATE	APPROVED
S0	CREATED DRAWING	2025/11/11	WJY



Electrical character

Rated voltage	SEE TABLE
Rated current	SEE TABLE
Mechanical characteristics (mating cycle)	>100
Degree of protection (ISO-20653,IEC60529)	IP67
Operating temperature (depending on cable quality)	-40°C +80°C
Destructive withstand force between connector and overmold exceeds	**kgf
Tightening torque (range)	/
Pollution degree	3
ALL MATERIALS ARE RoHS COMPLIANT	
PRODUCTS COMPLY WITH IEC61076-2-010	

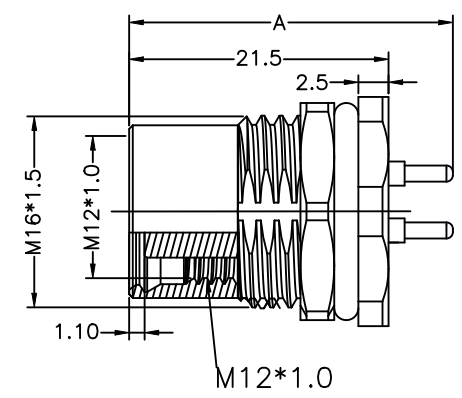
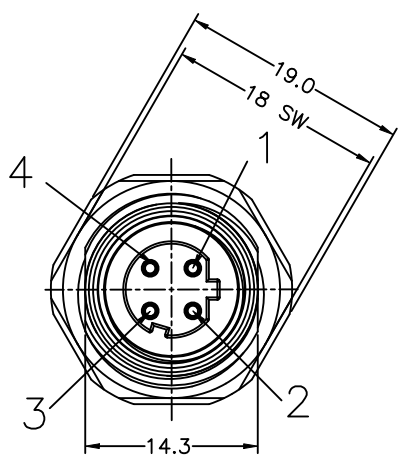


TABLE 1:

Part Number	Contacts	KEY NAME	Rated voltage		Rated current	Contacts	SIZE A
			A/C	D/C			
120404-04-188		D	250V	250V	4A	4	26.7
120104-04-174		A	250V	250V	4A	4	26.7
120105-04-213		A	60V	60V	4A	5	26.7
121005-04-024		L	63V	63V	16A	5 (4+FE)	27.2
120108-04-211		A	30V	30V	2A	8	26.7
120112-04-107		A	30V	30V	1.5A	12	26.7
120708-04-149		X	50V	60V	0.5A	8	25.6

SIGNAL[®]

Shenzhen Signal Electronics Co., LTD

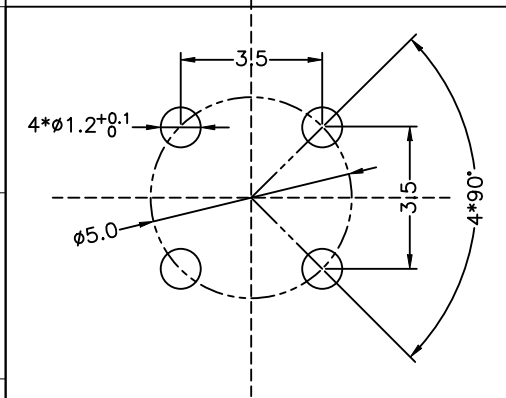
TITLE M12 FEMALE CONNECTOR END, PUSH-PULL SELF-LOCKING (INTERNAL LOCK)

SGN NO N/A

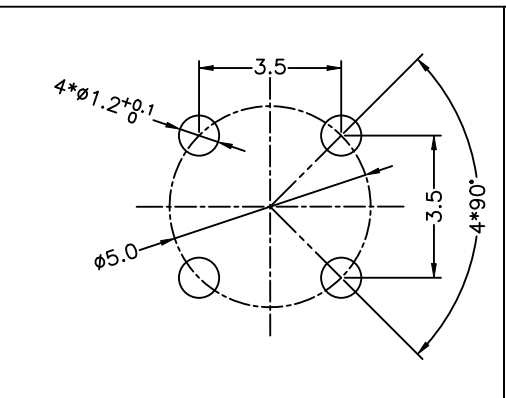
REV. S0

DRAWN BY	DATE	DWG NO	REV.
CHECKED BY	DATE	CUSTOMER	S0
CHECKED BY	DATE	TOLERANCES ARE:	
APPROVED BY	DATE	DECIMALES	ANGLES
<small>THE INFORMATION CONTAINED IN THIS DRAWING IS THE SOLE PROPERTY OF SIGNAL COMPANY. ANY REPRODUCTION IN PART OR WHOLE WITHOUT THE WRITTEN PERMISSION OF SIGNAL COMPANY IS PROHIBITED.</small>		.x ±0.5	x.' ±2.0'
		.xx ±0.20	.x' ±1.0'
		THIRD ANGLE PROJECTION	
		SIZE: A4	UNITS: mm
		SCALE:	SHEET:

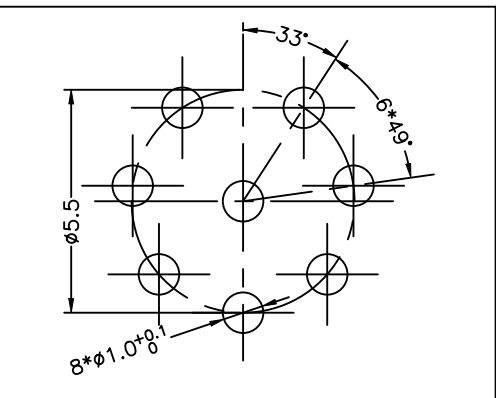
REV	DESCRIPTION	DATE	APPROVED
S0	CREATED DRAWING	2025/12/13	WJY



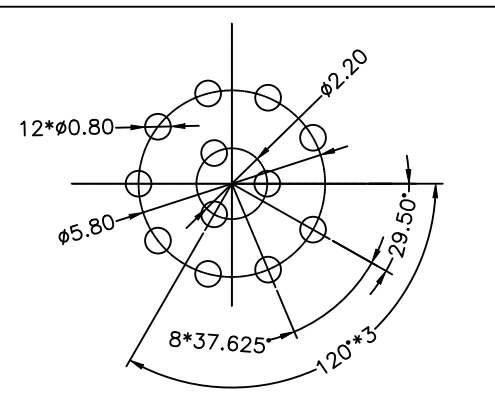
M12 A 4PIN
120104-04-174




M12 D 4PIN
120404-04-188



M12 A 8PIN
120108-04-211



M12 A 12PIN
120112-04-107

 SIGNAL [®] Shenzhen Signal Electronics Co., LTD		TITLE M12 FEMALE CONNECTOR END, PUSH-PULL SELF-LOCKING (INTERNAL LOCK)	
		SGN NO N/A	
DRAWN BY	DATE	DWG NO	REV.
CHECKED BY	DATE	CUSTOMER	S0
CHECKED BY	DATE	TOLERANCES ARE:	
APPROVED BY	DATE	DECIMALES	THIRD ANGLE PROJECTION
<small>THE INFORMATION CONTAINED IN THIS DRAWING IS THE SOLE PROPERTY OF SIGNAL COMPANY. ANY REPRODUCTION IN PART OR WHOLE WITHOUT THE WRITTEN PERMISSION OF SIGNAL COMPANY IS PROHIBITED.</small>		ANGLES	SIZE: A4
		.x ±0.5 .x' ±2.0' .xx ±0.20 .x' ±1.0'	UNITS: mm SHEET: