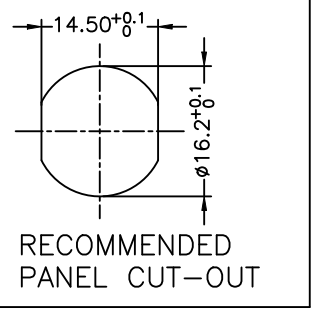


REV	DESCRIPTION	DATE	APPROVED
S0	CREATED DRAWING	2025/11/11	WJY



Electrical character

Rated voltage	SEE TABLE
Rated current	SEE TABLE
Mechanical characteristics (mating cycle)	>100
Degree of protection (ISO-20653,IEC60529)	IP67
Operating temperature (depending on cable quality)	-40°C +80°C
Destructive withstand force between connector and overmold exceeds	**kgf
Tightening torque (range)	/
Pollution degree	3
ALL MATERIALS ARE RoHS COMPLIANT	
PRODUCTS COMPLY WITH IEC61076-2-010	

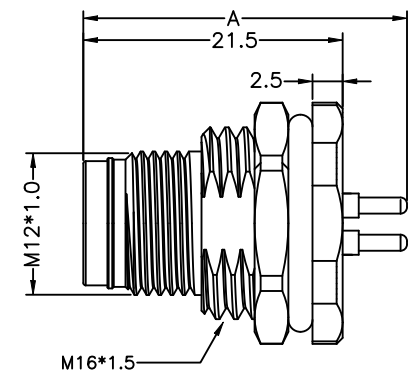
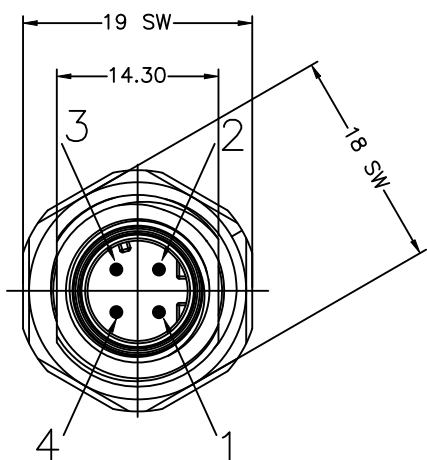


TABLE 1:

Part Number	Contacts	KEY NAME	Rated voltage		Rated current	Contacts	SIZE A
			A/C	D/C			
120404-03-052		D	250V	250V	4A	4	25.2
120104-03-204		A	250V	250V	4A	4	25.2
120105-03-271		A	60V	60V	4A	5	25.2
121005-03-056		L	63V	63V	16A	5 (4+FE)	27.2
120108-03-216		A	30V	30V	2A	8	25.2
120112-03-127		A	30V	30V	1.5A	12	25.2
120708-03-015		X	50V	60V	0.5A	8	32.38

SIGNAL[®]

Shenzhen Signal Electronics Co., LTD

TITLE M12 MALE CONNECTOR END, PUSH-PULL SELF-LOCKING (EXTERNAL LOCK)

SGN NO N/A

DWG NO

CUSTOMER

TOLERANCES ARE:
DECIMALES ANGLES
.x ±0.5 x.' ±2.0'
.xx ±0.20 .x' ±1.0'

THIRD ANGLE PROJECTION

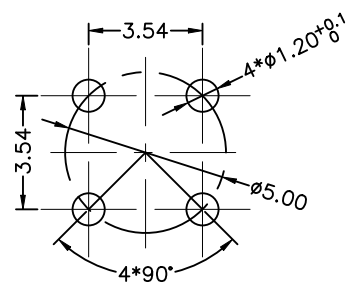
SIZE: A4 UNITS: mm

SCALE: SHEET:

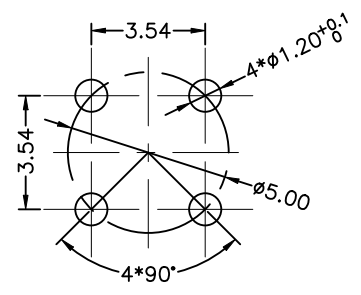
REV. S0

THE INFORMATION CONTAINED IN THIS DRAWING IS THE SOLE PROPERTY OF SIGNAL COMPANY. ANY REPRODUCTION IN PART OR WHOLE WITHOUT THE WRITTEN PERMISSION OF SIGNAL COMPANY IS PROHIBITED.

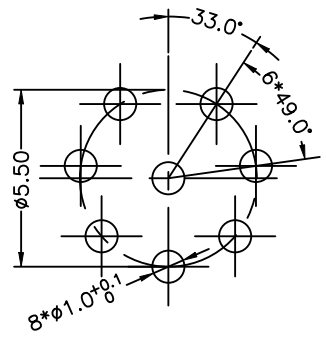
REV	DESCRIPTION	DATE	APPROVED
S0	CREATED DRAWING	2025/12/13	WJY



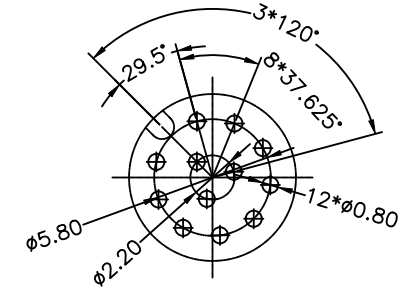
M12 A 4PIN
120104-03-204




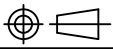
M12 D 4PIN
120404-03-052



M12 A 8PIN
120108-03-216



M12 A 12PIN
120112-03-127

 SIGNAL [®] Shenzhen Signal Electronics Co., LTD		TITLE M12 MALE CONNECTOR END, PUSH-PULL SELF-LOCKING (EXTERNAL LOCK)	
		SGN NO N/A	
DRAWN BY	DATE	DWG NO	REV.
CHECKED BY	DATE	CUSTOMER	S0
CHECKED BY	DATE	TOLERANCES ARE:	
APPROVED BY	DATE	DECIMALES	THIRD ANGLE PROJECTION
<small>THE INFORMATION CONTAINED IN THIS DRAWING IS THE SOLE PROPERTY OF SIGNAL COMPANY. ANY REPRODUCTION IN PART OR WHOLE WITHOUT THE WRITTEN PERMISSION OF SIGNAL COMPANY IS PROHIBITED.</small>		ANGLES	
		.x ±0.5	SIZE: A4
		.xx ±0.20	UNITS: mm
			SCALE:
			SHEET: