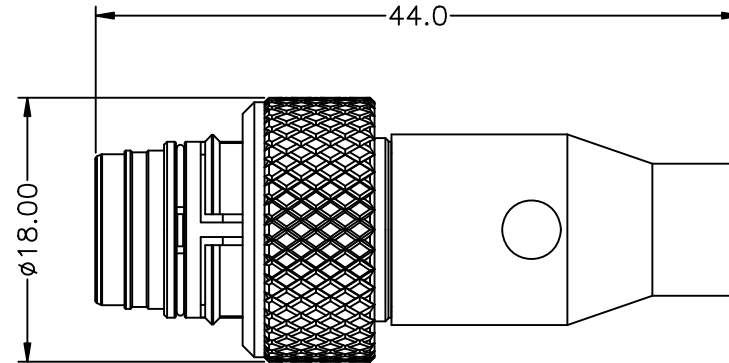
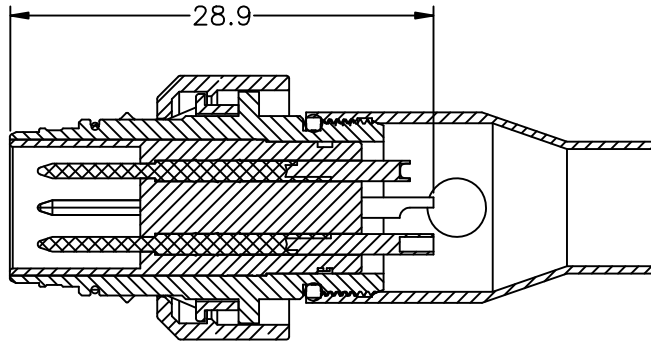


REV	DESCRIPTION	DATE	APPROVED
S0	CREATED DRAWING	2025/06/06	WJY




DETAILED PRODUCT DESCRIPTION:
 WATERPROOF CONNECTOR RATING IS IP67
 THEY CAN NOT BE USED PERMANENTLY UNDER WATER
 PER ISO-20653, IEC60529

ELECTRICAL PROPERTIES AT +20°C
 RATING VOLTAGE: 250V AC/DC
 INSULATION RESISTANCE: >100MΩ
 RATING CURRENT: 4A
 CONTACT RESISTANCE OF CONNECTOR ≤5mΩ
 MECHANICAL CHARACTERISTICS: MATING CYCLE >100 CYCLES
 OPERATING TEMPERATURE: -25°C ~ +85°C

ALL MATERIALS ARE ROHS COMPLIANT

⑧	YDWK1068	M12 MALE SHELL	1	PCS
⑦	OR00044	M12 O-RING FKM	1	PCS
⑥	YDWJ0264	M12 MALE GASKET	1	PCS
⑤	YDCN1737	M12 MALE C-RING	1	PCS
④	YDTK0221	M12 MALE SHIELD, BRASS NICKEL PLATED	1	PCS
③	YDWK1069	M12 ZINC ALLOY NICKEL PLATED SHELL	1	PCS
②	TE00155	M12 MALE TERMINAL GOLD PLATED 1U"	4	PCS
①	YDCN1767	M12 D TYPE 4PIN MALE HOUSING	1	PCS
ITEM	PART NO.	SPECIFICATION	Q'TY	UNIT

 SIGNAL [®] Shenzhen Signal Electronics co.,Ltd		TITLE	
		M12 D 4P/M PUSH-PULL CONNECTOR FOR MOLDING WITH SHIELD	
DRAWN BY		DATE	SGN NO
CHECKED BY		DATE	120404-05-101
CHECKED BY		DATE	DWG NO
APPROVED BY		DATE	CUSTOMER
THE INFORMATION CONTAINED IN THIS DRAWING IS THE SOLE PROPERTY OF SIGNAL COMPANY. ANY REPRODUCTION IN PART OR WHOLE WITHOUT THE WRITTEN PERMISSION OF SIGNAL COMPANY IS PROHIBITED.		TOLERANCES ARE:	
		DECIMALES	ANGLES
		.x ±0.50	x.' ±2.0'
		.xx ±0.20	.x' ±1.0'
		THIRD ANGLE PROJECTION	UNITS: mm
		SCALE: 1:1	SHEET: 1 OF 1