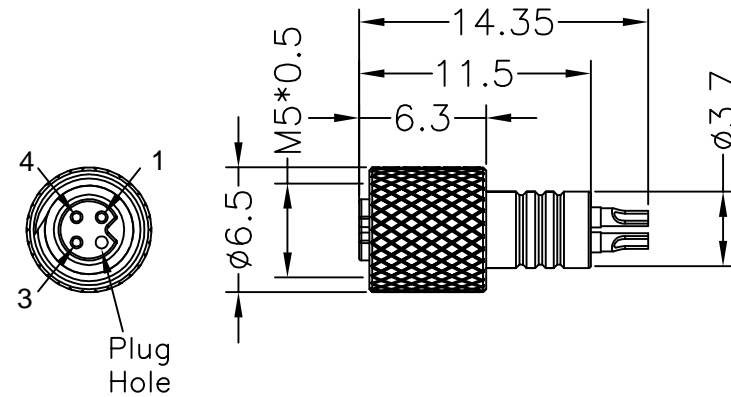


REV	DESCRIPTION	DATE	APPROVED
S0	CREATED DRAWING	2018/05/12	CYF


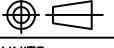
Detailed Product Description:
Waterproof connector rating is IP67
They can not be used permanently under water.

Connector Electrical character
Rating voltage: 60V ,
Insulation resistance: >100MΩ
Rating current : 1A
Contact resistance of connector ≤5mΩ
Mechanical characteristics: mating / cycle >100 cycle
Operating temperature: -25°C ~ +85°

*ALL MATERIALS ARE RoHS COMPLIANT.



④	OR00039	O-RING $\phi 3 \times 0.5 \text{mm}$	1	PCS
③	TE00125	M5 SOCKET, PHOSPHOR BRONZE OF PALTED GOLD $1 \text{u}'' \text{L} = 13.5 \text{mm}$	3	PCS
②	CN00143	M5 4Pin FEMALE INSERT BALCK PA66+GF $4 \times 0.95 \text{mm}$	1	PCS
①	WK00097	M5 BRASS OF PLATED NI, FEMALE NUT $6.5 \times 5.8 \text{mm}$	1	PCS
ITEM	PART NO.	SPECIFICATION	Q'TY	UNIT

 SIGNAL [®] Shenzhen Signal Electronics Co., LTD		TITLE M5 3P/F CONNECTOR	
		SGN NO 050003-21-001	REV.
DRAWN BY	DATE	DWG NO M05F03001	S0
CHECKED BY	DATE	CUSTOMER	
APPROVED BY	DATE	TOLERANCES ARE:	THIRD ANGLE PROJECTION 
<small>THE INFORMATION CONTAINED IN THIS DRAWING IS THE SOLE PROPERTY OF SIGNAL COMPANY. ANY REPRODUCTION IN PART OR WHOLE WITHOUT THE WRITTEN PERMISSION OF SIGNAL COMPANY IS PROHIBITED.</small>		DECIMALES	ANGLES
		.x ± 0.5	x.* $\pm 2.0^\circ$
		.xx ± 0.20	.x' $\pm 1.0^\circ$
		SIZE: A4	UNITS: mm
		SCALE:	SHEET: 1 OF 1