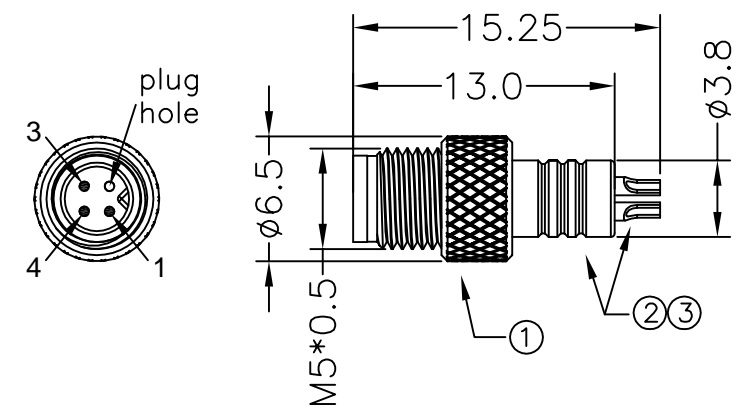



REV	DESCRIPTION	DATE	APPROVED
S0	CREATED DRAWING	2018/05/11	CYF



Detailed Product Description:
 Waterproof connector rating is IP67
 They can not be used permanently under water.

Connector Electrical character
 Rating voltage: 60V ,
 Insulation resistance: >100MΩ
 Rating current : 1A
 Contact resistance of connector ≤5mΩ
 Mechanical characteristics: mating / cycle >100cycles
 Operating temperature: -25°C ~ +85°

*ALL MATERIALS ARE RoHS COMPLIANT.

 SIGNAL [®] Shenzhen Signal Electronics Co., LTD		TITLE	
		M5 3P/M CONNECTOR	
DRAWN BY		SGN NO	REV.
CHECKED BY		050003-20-001	
APPROVED BY		DWG NO	S0
		M05M03001	
		CUSTOMER	
THE INFORMATION CONTAINED IN THIS DRAWING IS THE SOLE PROPERTY OF SIGNAL COMPANY. ANY REPRODUCTION IN PART OR WHOLE WITHOUT THE WRITTEN PERMISSION OF SIGNAL COMPANY IS PROHIBITED.		TOLERANCES ARE:	THIRD ANGLE PROJECTION
		DECIMALES	ANGLES
		.x ±0.5	x.* ±2.0°
		.xx ±0.20	.x.* ±1.0°
		SIZE: A4	UNITS: mm
		SCALE:	SHEET: 1 OF 1

ITEM	PART NO.	SPECIFICATION	Q'TY	UNIT
③	TE00124	M5 Pin ,BRASS OF PALTED GOLD1u'' L=13.75mm	3	PCS
②	CN00144	M5 4Pin MALE INSERT BALCK PA66+GF 4*0.90mm	1	PCS
①	WK00096	M5 BRASS OF PLATED NI,MALE NUT 6.5*7.2mm	1	PCS