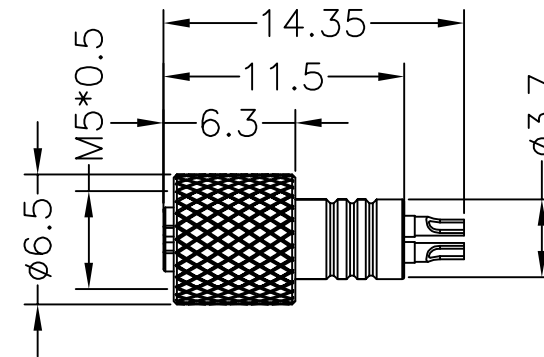
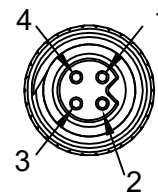


REV	DESCRIPTION	DATE	APPROVED
S0	CREATED DRAWING	2018/05/12	CYF


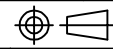
Detailed Product Description:
 Waterproof connector rating is IP67
 They can not be used permanently under water.

Connector Electrical character
 Rating voltage: 60V ,
 Insulation resistance: >100MΩ
 Rating current : 1A
 Contact resistance of connector ≤5mΩ
 Mechanical characteristics: mating / cycle >100 cycle
 Operating temperature: -25°C ~ +85°

*ALL MATERIALS ARE RoHS COMPLIANT.



④	OR00039	O-RING $\phi 3*0.5\text{mm}$	1	PCS
③	TE00125	M5 SOCKET, PHOSPHOR BRONZE OF PALTED GOLD $1u''L=13.5\text{mm}$	4	PCS
②	CN00143	M5 4Pin FEMALE INSERT BALCK PA66+GF $4*0.95\text{mm}$	1	PCS
①	WK00097	M5 BRASS OF PLATED NI, FEMALE NUT $6.5*5.8\text{mm}$	1	PCS
ITEM	PART NO.	SPECIFICATION	Q'TY	UNIT

 Shenzhen Signal Electronics Co., LTD		TITLE M5 4P/F CONNECTOR	
		SGN NO 050004-21-001	REV. S0
DRAWN BY		DATE	
CHECKED BY		DATE	
APPROVED BY		DATE	
<small>THE INFORMATION CONTAINED IN THIS DRAWING IS THE SOLE PROPERTY OF SIGNAL COMPANY. ANY REPRODUCTION IN PART OR WHOLE WITHOUT THE WRITTEN PERMISSION OF SIGNAL COMPANY IS PROHIBITED.</small>		TOLERANCES ARE: DECIMALES .x ± 0.5 ANGLES .x' $\pm 2.0'$.xx ± 0.20 .x' $\pm 1.0'$	THIRD ANGLE PROJECTION  SIZE: A4 UNITS: mm SCALE: SHEET: 1 OF 1