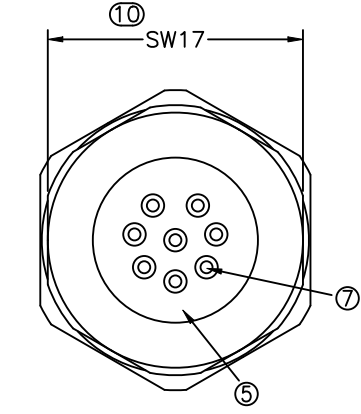
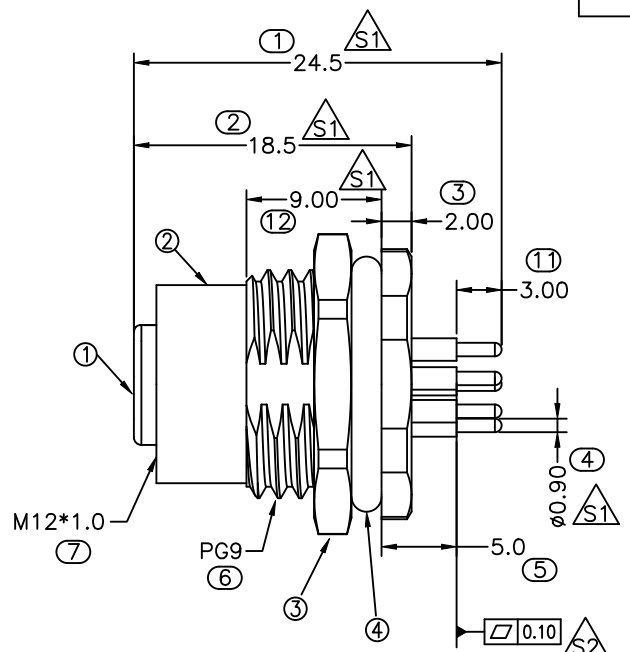
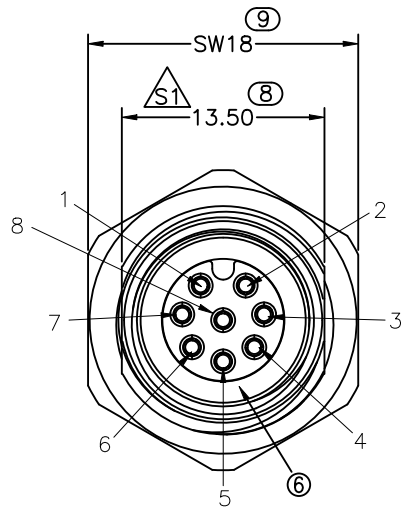


PROJECT NO:
SGNYD2207136

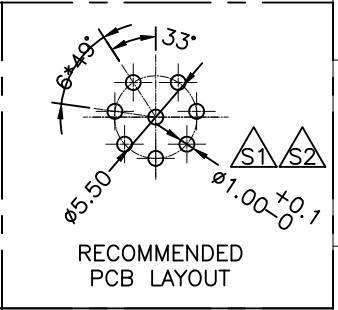
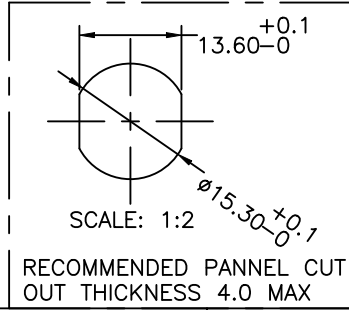
REV	DESCRIPTION	DATE	APPROVED
S0	CREATED DRAWING	2022/07/27	CYF
S1	Customer requests to update drawings	2022/07/30	CYF
S2	Customer requests to update drawings	2023/03/20	CYF



DETAILED PRODUCT DESCRIPTION:
WATERPROOF CONNECTOR RATING IS IP67
THEY CAN NOT BE USED PERMANENTLY UNDER WATER
PER ISO-20653, IEC60529

ELECTRICAL PROPERTIES AT +20°C
RATING VOLTAGE: 60V DC
INSULATION RESISTANCE: >100MΩ
RATING CURRENT: 2A
CONTACT RESISTANCE OF CONNECTOR ≤5mΩ
MECHANICAL CHARACTERISTICS: MATING CYCLE >100 CYCLES
OPERATING TEMPERATURE: -40°C ~ +85°C
TIGHTENING TORQUE (RANGE) 0.4~1.8NM
ACCORDING TO IEC 61076-2-109

ALL MATERIALS ARE ROHS COMPLIANT



ITEM	PART NO.	SPECIFICATION	Q'TY	UNIT
⑦	N/A	TERMINAL PHOSPHOR BRONZE GOLD-PLATED 1u" Ø0.8mm L=23.2mm	8	PCS
⑥	N/A	O-RING NBR BLACK Ø7.0*1.5mm	1	PCS
⑤	N/A	BLACK EPOXY GLUE	2	G
④	N/A	O-RING NBR BLACK Ø13.0*1.5mm	1	PCS
③	N/A	NUT NICKEL PLATING ON BRASS L=2.5mm SW18	1	PCS
②	N/A	SHELL NICKEL PLATING ON BRASS L=17.0mm SW17	1	PCS
①	N/A	M12 A CODING 8P FEMALE BLACK NYLON INSULATOR	1	PCS

SIGNAL[®]

Shenzhen Signal Electronics co.,Ltd

TITLE
M12 A-CODING 8PIN FEMALE CONNECTOR DIP

SGN NO 120108-04-141

DWG NO SGNYD2207136-2

CUSTOMER

DRAWN BY	DATE	REV.	
CHECKED BY	DATE	S1	
CHECKED BY	DATE		
APPROVED BY	DATE		

THE INFORMATION CONTAINED IN THIS DRAWING IS THE SOLE PROPERTY OF SIGNAL COMPANY.
ANY REPRODUCTION IN PART OR WHOLE WITHOUT THE WRITTEN PERMISSION OF SIGNAL COMPANY IS PROHIBITED.

TOLERANCES ARE:
DECIMALES ANGLES
.x ±0.50 x.' ±2.0'
.xx ±0.20 .x' ±1.0'

THIRD ANGLE PROJECTION

SIZE: A4 UNITS: mm
SCALE: 1:1 SHEET: 1 OF 1