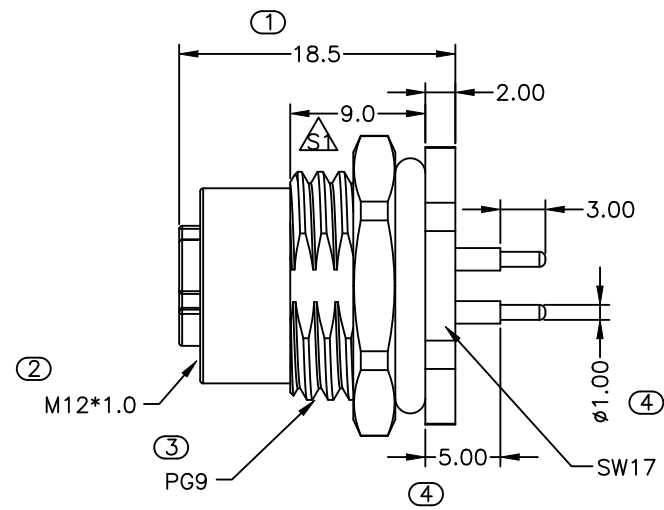
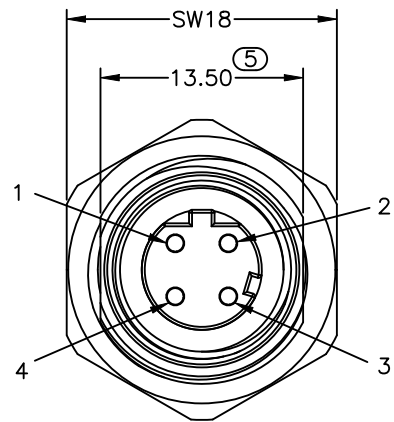


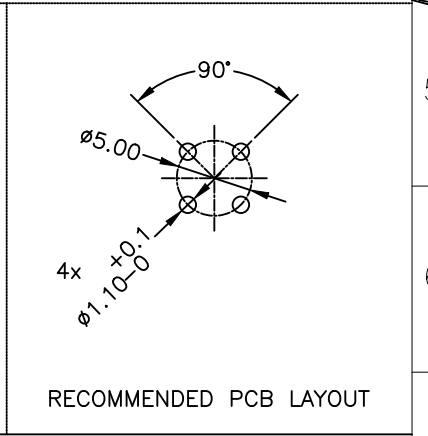
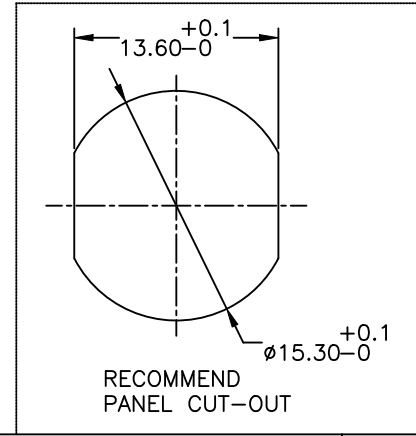
REV	DESCRIPTION	DATE	APPROVED
S0	CREATED DRAWING	2023/03/22	CYF
S1	Update drawings	2023/04/20	CYF




DETAILED PRODUCT DESCRIPTION:
 WATERPROOF CONNECTOR RATING IS IP67
 THEY CAN NOT BE USED PERMANENTLY UNDER WATER
 PER ISO-20653, IEC60529

ELECTRICAL PROPERTIES AT +20°C
 RATING VOLTAGE: 250V AC/DC
 INSULATION RESISTANCE: >100MΩ
 RATING CURRENT: 4A
 CONTACT RESISTANCE OF CONNECTOR ≤5mΩ
 MECHANICAL CHARACTERISTICS: MATING CYCLE >100 CYCLES
 OPERATING TEMPERATURE: -25°C ~ +85°C
 COMPRESSION AMOUNT OF WATERPROOF RING: ≈15%~30%

ALL MATERIALS ARE ROHS COMPLIANT

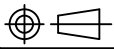


⑦	N/A	PG9 NUT NICKEL PLATING ON BRASS	1	PCS
⑥	GL00002	EPOXY RESIN BLACK	1	G
⑤	OR00012-1	M12 O-RING FKM BLACK	1	PCS
④	N/A	PG9 O-RING FKM BLACK	1	PCS
③	N/A	M12 TERMINAL GOLD PLATING 1u" COPPER ALLOY	4	PCS
②	N/A	M12 SHELL NICKEL PLATING ON BRASS	1	PCS
①	N/A	M12 D 4PIN FEMALE INSULATOR PA66+GF BLACK	1	PCS
ITEM	PART NO.	SPECIFICATION	Q'TY	UNIT



SIGNAL[®]

Shenzhen Signal Electronics co.,Ltd

DRAWN BY		DATE		TITLE	
CHECKED BY		DATE		M12 D 4P FEMALE FRONT FASTENED CONNECTOR	
CHECKED BY		DATE		SGN NO	120404-04-156
APPROVED BY		DATE		DWG NO	SGNYD2303096-1-300
<small>THE INFORMATION CONTAINED IN THIS DRAWING IS THE SOLE PROPERTY OF SIGNAL COMPANY. ANY REPRODUCTION IN PART OR WHOLE WITHOUT THE WRITTEN PERMISSION OF SIGNAL COMPANY IS PROHIBITED.</small>				CUSTOMER	
				S1	
TOLERANCES ARE:		THIRD ANGLE PROJECTION		 SIZE: A4 UNITS: mm SCALE: 1:1 SHEET:	
DECIMALES	ANGLES				
.x ±0.5	x.' ±2.0'				
.xx ±0.20	.x' ±1.0'				