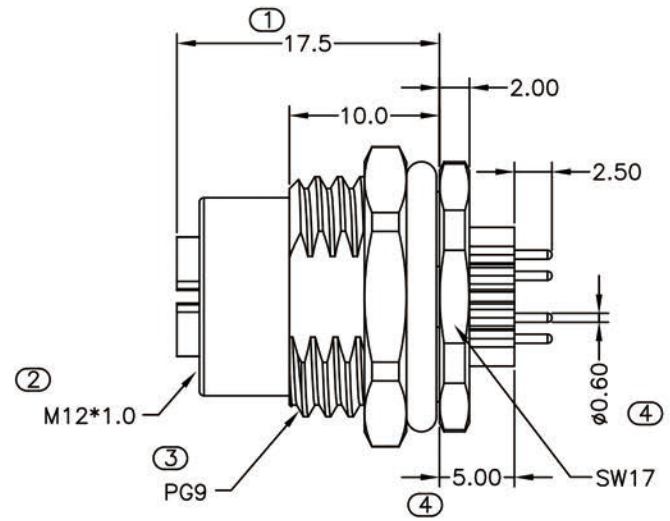
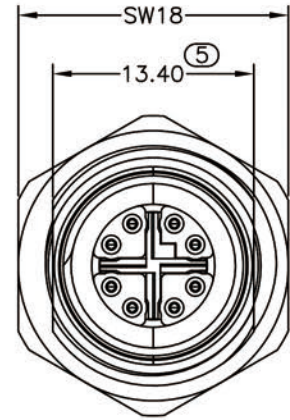


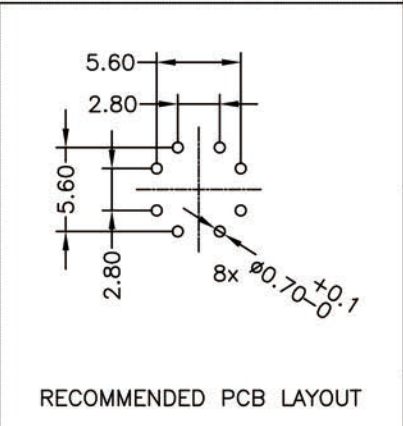
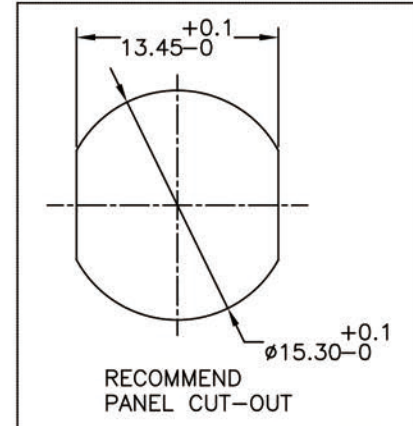
REV	DESCRIPTION	DATE	APPROVED
SO	CREATED DRAWING	2023/03/22	CYF



DETAILED PRODUCT DESCRIPTION:
 WATERPROOF CONNECTOR RATING IS IP67
 THEY CAN NOT BE USED PERMANENTLY UNDER WATER
 PER ISO-20653, IEC60529

ELECTRICAL PROPERTIES AT +20°C
 RATING VOLTAGE: 50V AC / 60V DC
 INSULATION RESISTANCE: >100MΩ
 RATING CURRENT: 0.5A
 CONTACT RESISTANCE OF CONNECTOR ≤5mΩ
 MECHANICAL CHARACTERISTICS: MATING CYCLE >100 CYCLES
 OPERATING TEMPERATURE: -25°C ~ +85°C
 COMPRESSION AMOUNT OF WATERPROOF RING: ≈15%~30%

ALL MATERIALS ARE ROHS COMPLIANT



⑦	N/A	PG9 NUT NICKEL PLATING ON BRASS	1	PCS
⑥	GL00002	EPOXY RESIN BLACK	1	G
⑤	OR00012-1	M12 O-RING FKM BLACK	1	PCS
④	N/A	PG9 O-RING FKM BLACK	1	PCS
③	N/A	M12 TERMINAL GOLD PLATING 1u" COPPER ALLOY	8	PCS
②	N/A	M12 SHELL NICKEL PLATING ON BRASS	1	PCS
①	N/A	M12 X 8PIN FEMALE INSULATOR PA66+GF BLACK	1	PCS
ITEM	PART NO.	SPECIFICATION	Q'TY	UNIT

SIGNAL
 Shenzhen Signal Electronics co.,Ltd

DRAWN BY	DATE
CHECKED BY	DATE
CHECKED BY	DATE
APPROVED BY	DATE

THE INFORMATION CONTAINED IN THIS DRAWING IS THE SOLE PROPERTY OF SIGNAL COMPANY. ANY REPRODUCTION IN PART OR WHOLE WITHOUT THE WRITTEN PERMISSION OF SIGNAL COMPANY IS PROHIBITED.

TITLE		M12 X 8P FEMALE FRONT FASTENED CONNECTOR	
SGN NO	120708-04-094	REV.	
DWG NO	SGNYD2303096-2-300		
CUSTOMER			SO
TOLERANCES ARE:	THIRD ANGLE PROJECTION	UNITS: mm	
DECIMALES	ANGLES	SIZE: A4	SCALE: 1:1
.x ±0.5	x.* ±2.0'		
.xx ±0.20	.x' ±1.0'		SHEET: