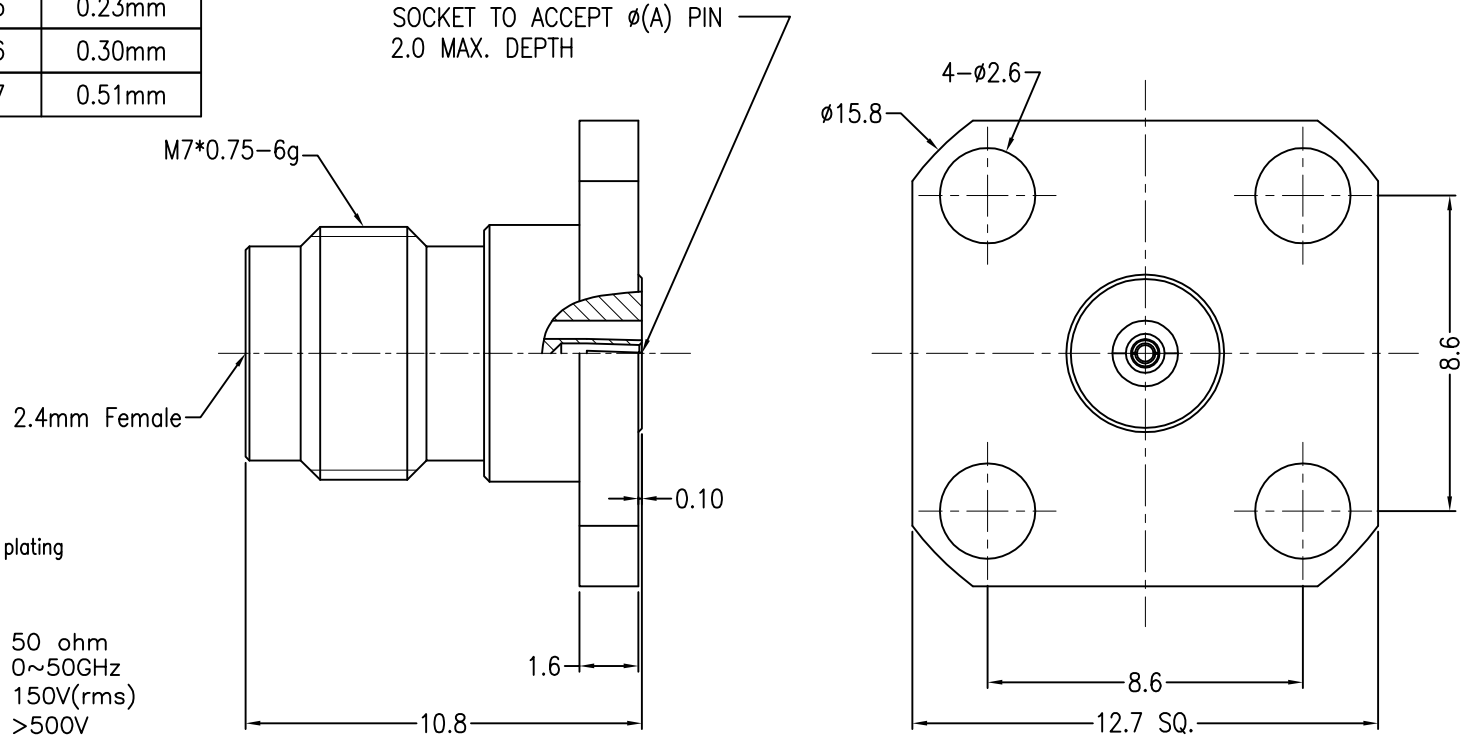


A		B		C		D		E		F	
NOTICE:		ALL PARTS MUST MEET TO RoHS REQUIREMENTS		CUSTOMER OUTLINE DRAWING		REV.	DESCRIPTION	ECN NO.	NAME	DATE	
RoHS		✓				SO	FIRST EDITION	N/A	LY	2021/09/17	

CUSTOMER NO.	ORDER NO.	φA
RF240A4JCCA	805000-00-185	0.23mm
RF240A4JCCB	805000-00-186	0.30mm
RF240A4JCCE	805000-00-187	0.51mm



1. MATERIALS AND PLATING

BODY: Passivation of stainless steel  
 CONTACT PIN: Beryllium copper with gold 30u" plating  
 INSULATOR: UNFILLED ULTEM 1000/PEI

2. ELECTRICAL CHARACTERISTICS

Impedance: 50 ohm  
 Frequency range: 0~50GHz  
 Voltage rating: 150V(rms)  
 Dielectric withstanding voltage: >500V  
 Contact resistance:  
 Center contact: <4.0mΩ  
 Outer contact: <2.5mΩ  
 Insulation resistance: >5000MΩ  
 Insertion loss: <0.10 X √f(GHz) dB  
 RF-leakage: N/A  
 VSWR: <1.30  
 3rd Intermodulation: N/A

3. MECHANICAL CHARACTERISTICS

Force to engage and disengage: N/A  
 Center contact retention force: >20 N  
 Recommended coupling torque: 0.80 Nm to 1.10 Nm  
 Coupling test torque: 1.70 Nm  
 Durability: >500 cycles

4. ENVIRONMENTAL CHARACTERISTICS

Temperature range: -40°C~+85°C

		TITLE: 50ohm , 2.4mm Female Straight 4-Hole Flange Connector	
		APPROVED:	CUSTOMER P/N:
CHECKED:	SCALE: 5 : 1	ORDER NO. 805000-00-185~187	.x ±0.5 x.° ±5.0° .xx ±0.3 x.° ±3.0°
DRAWING: LY	DATE: 2021-09-17	THIRD ANGLE PROJECTION	UNITS: mm SHEET: 1 OF 2
			SIZE: A4

NOTICE:  
 RoHS  ALL PARTS MUST MEET TO RoHS REQUIREMENTS  
 CUSTOMER OUTLINE DRAWING

REV.	DESCRIPTION	ECN NO.	NAME	DATE
SO	FIRST EDITION	N/A	LY	2021/09/17

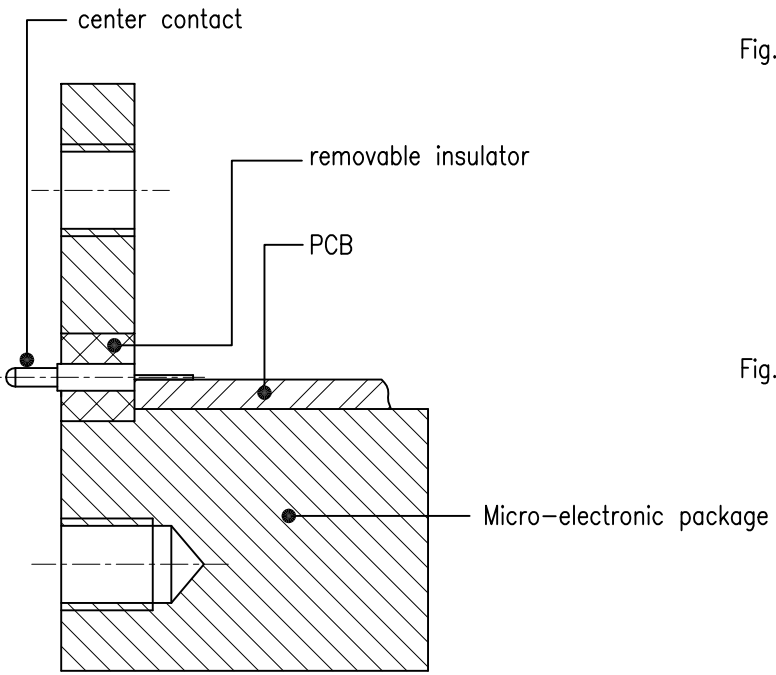
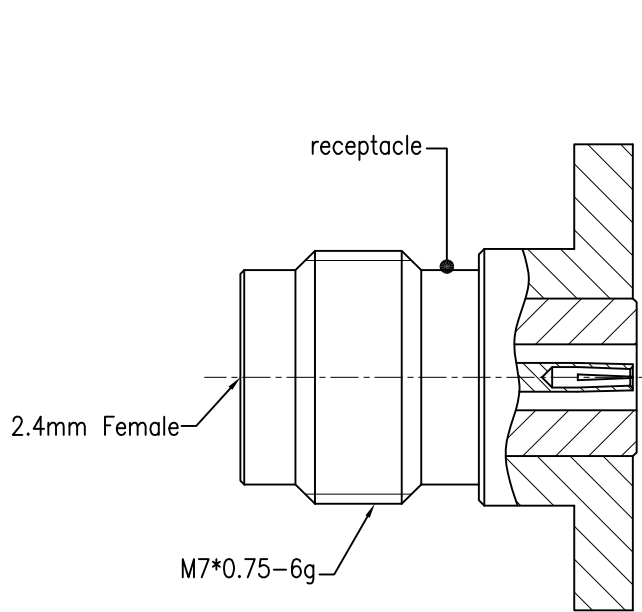


Fig. 1

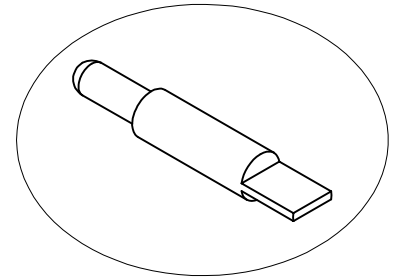


Fig. 2

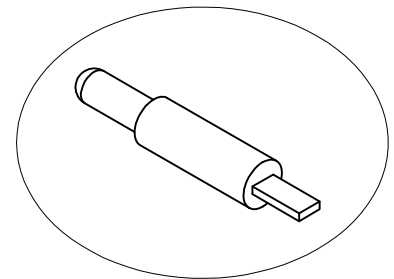
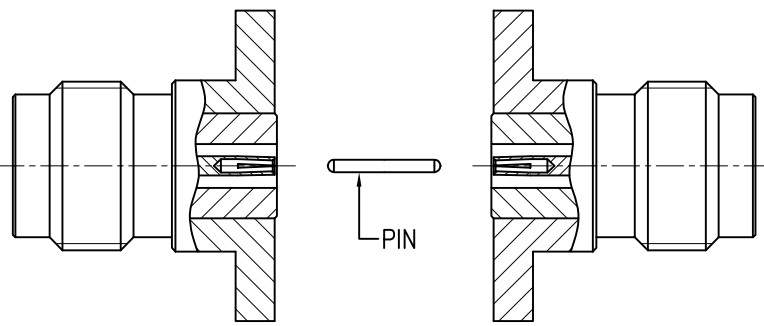
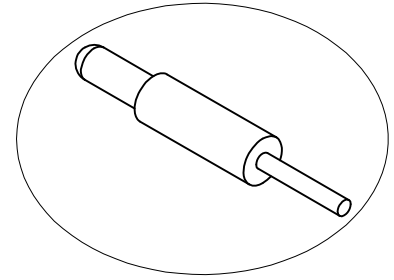


Fig. 3



Back-to-back testing for two connectors

		TITLE: 50ohm , 2.4mm Female Straight 4-Hole Flange Connector	
		APPROVED:	CUSTOMER P/N:
CHECKED:	SCALE: 5 : 1	ORDER NO. 805000-00-185~187	.x ±0.5    x.° ±5.0° .xx ±0.3    .x° ±3.0°
DRAWING: LY	DATE: 2021-09-17	THIRD ANGLE PROJECTION	UNITS: mm SHEET: 2 OF 2    SIZE: A4