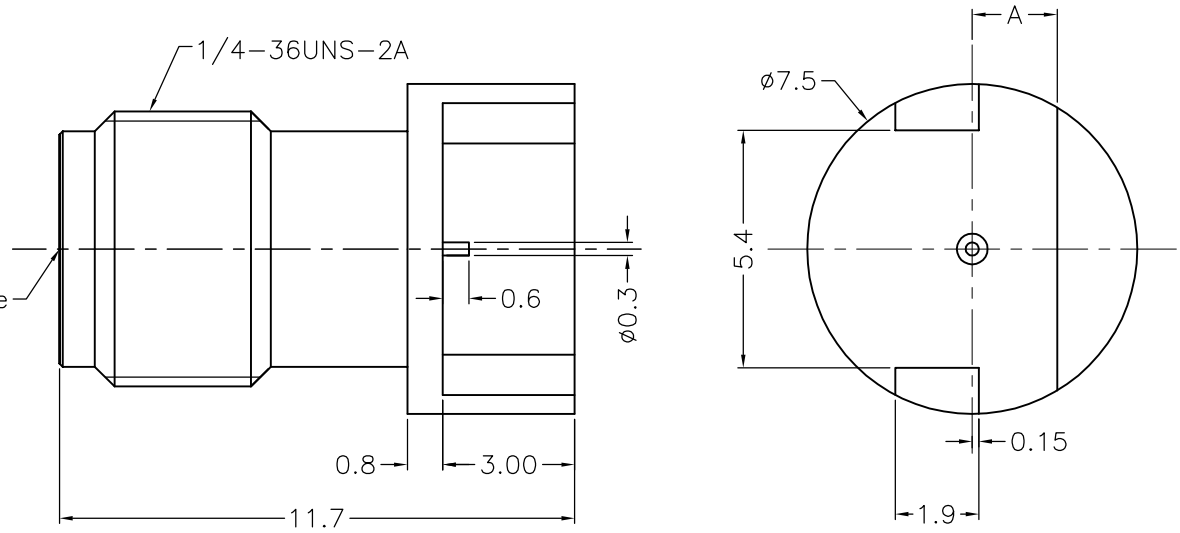




A		B		C		D		E		F	
NOTICE:		ALL PARTS MUST MEET TO RoHS REQUIREMENTS		CUSTOMER OUTLINE DRAWING		REV.	DESCRIPTION	ECN NO.	NAME	DATE	
RoHS		✓				S0	FIRST EDITION	N/A	LY	2021/09/17	

CUSTOMER NO.	ORDER NO.	A	PCB Thickness
RF292CPA	805000-00-151	0.76mm	0.61mm
RF292CPB	805000-00-152	1.02mm	0.87mm
RF292CPC	805000-00-153	1.93mm	1.78mm

- MATERIALS AND PLATING**  
 BODY: Brass with gold 10u" plating  
 CONTACT PIN: Beryllium copper with gold 30u" plating  
 INSULATOR: ULTEM 1000
- ELECTRICAL CHARACTERISTICS**  
 Impedance: 50 ohm  
 Frequency range: 0~40GHz  
 Voltage rating: 250V(rms)  
 Dielectric withstanding voltage: >750V  
 Contact resistance:  
 Center contact: <3.0mΩ  
 Outer contact: <2.0mΩ  
 Insulation resistance: >5000MΩ  
 Insertion loss: <0.04 X√f(GHz) dB  
 RF-leakage: N/A  
 VSWR: <1.30  
 3rd Intermodulation: N/A
- MECHANICAL CHARACTERISTICS**  
 Force to engage and disengage: N/A  
 Center contact retention force: >20 N  
 Coupling test torque: 1.70 Nm  
 Recommended torque: 0.80 Nm to 1.10 Nm  
 Durability: >500 cycles
- ENVIRONMENTAL CHARACTERISTICS**  
 Temperature range: -40°C~+85°C



		TITLE: 2.92mm Female Edge Launch Connector, PCB Thickness	
APPROVED:	CUSTOMER P/N:	DRAWING NO.	TOLERANCES ARE: DECIMALES ANGLES
CHECKED:	SCALE: 5 : 1	ORDER NO. 805000-00-151~153	.x ±0.5 x.° ±5.0° .xx ±0.3 .x° ±3.0°
DRAWING: LY	DATE: 2021-09-17	THIRD ANGLE PROJECTION 	UNITS: mm SHEET: 1 OF 1
		SIZE: A4	