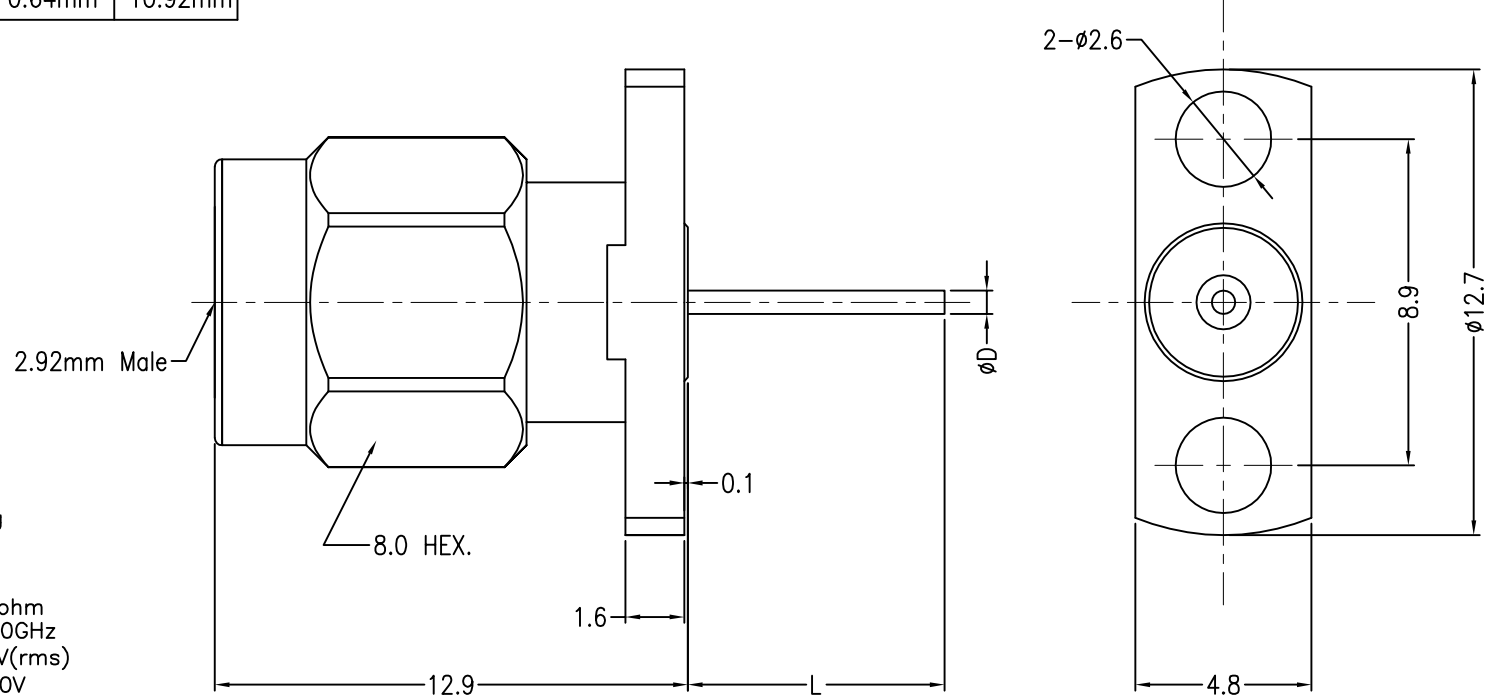


A		B		C		D		E		F	
NOTICE:		ALL PARTS MUST MEET TO RoHS REQUIREMENTS		CUSTOMER OUTLINE DRAWING		REV.	DESCRIPTION	ECN NO.	NAME	DATE	
RoHS		✓				SO	FIRST EDITION	N/A	LY	2021/09/17	

CUSTOMER NO.	ORDER NO.	∅D	L
RF292A2PCEDK	805000-00-554	0.64mm	6.84mm
RF292A2PCEDP	805000-00-555	0.64mm	10.92mm



1. MATERIALS AND PLATING

BODY: Passivation of stainless steel
 CONTACT PIN: Beryllium copper with gold 30u" plating
 INSULATOR: UNFILLED ULTEM 1000/PEI

2. ELECTRICAL CHARACTERISTICS

Impedance: 50 ohm
 Frequency range: 0~40GHz
 Voltage rating: 250V(rms)
 Dielectric withstanding voltage: >750V
 Contact resistance:
 Center contact: <3.0mΩ
 Outer contact: <2.0mΩ
 Insulation resistance: >5000MΩ
 Insertion loss: <0.10 X √f(GHz) dB
 RF-leakage: N/A
 VSWR: <1.30
 3rd Intermodulation: N/A

3. MECHANICAL CHARACTERISTICS

Force to engage and disengage: N/A
 Center contact retention force: >20 N
 Recommended coupling torque: 0.80 Nm to 1.10 Nm
 Coupling test torque: 1.70 Nm
 Durability: >500 cycles

4. ENVIRONMENTAL CHARACTERISTICS

Temperature range: -40°C~+85°C

		TITLE: 50 Ohm, 2.92mm Male Straight 2-Hole Flange Connector			
		APPROVED:	CUSTOMER P/N:	DRAWING NO.	TOLERANCES ARE: DECIMALES ANGLES
CHECKED:	SCALE: 5 : 1	ORDER NO. 805000-00-554~555	.x ±0.5	x.° ±5.0°	
DRAWING: LY	DATE: 2021-09-17	THIRD ANGLE PROJECTION	.xx ±0.3	x.° ±3.0°	
		UNITS: mm	SIZE: A4		
		SHEET: 1 OF 1			