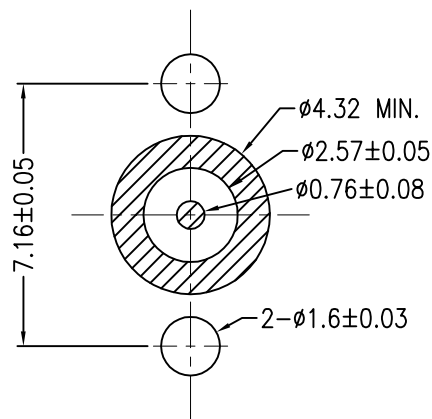
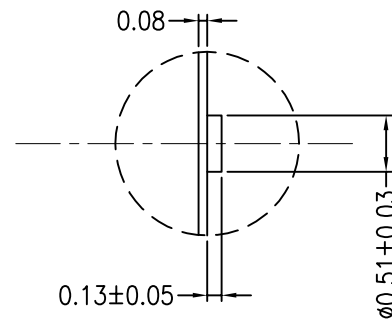
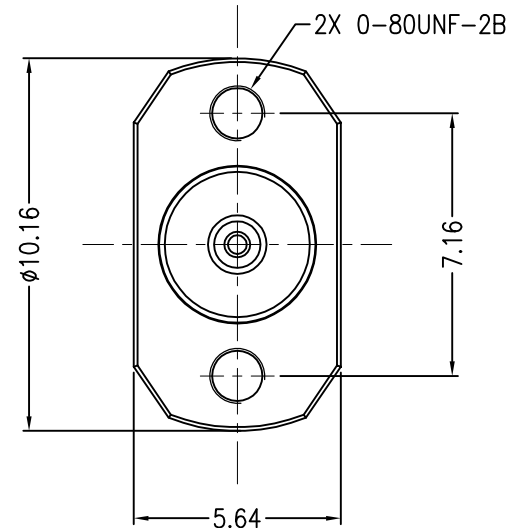
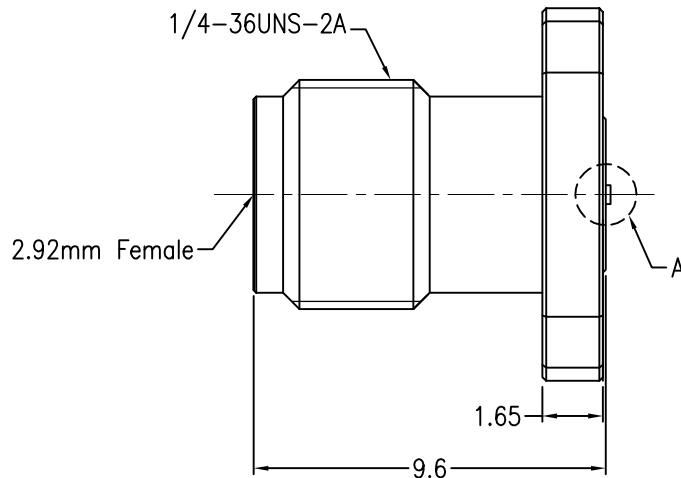


NOTICE: ALL PARTS MUST MEET TO RoHS REQUIREMENTS
 RoHS CUSTOMER OUTLINE DRAWING

REV.	DESCRIPTION	ECN NO.	NAME	DATE
SO	FIRST EDITION	N/A	LY	2021/09/18



RECOMMENDED PCB LAYOUT



DETAIL A

1. MATERIALS AND PLATING

BODY: Passivation of stainless steel
 CONTACT PIN: Beryllium copper with gold 30u" plating
 INSULATOR: UNFILLED ULTEM 1000 PEI

2. ELECTRICAL CHARACTERISTICS

Impedance: 50 ohm
 Frequency range: 0~40GHz
 Voltage rating: 250V(rms)
 Dielectric withstanding voltage: >750V
 Contact resistance:
 Center contact: <3.0mΩ
 Outer contact: <2.0mΩ
 Insulation resistance: >5000MΩ
 Insertion loss: <0.05 X_v√f(GHz) dB
 RF-leakage: N/A
 VSWR: <1.30
 3rd Intermodulation: N/A

3. MECHANICAL CHARACTERISTICS

Force to engage and disengage: N/A
 Center contact retention force: >6 lbs
 Recommended coupling torque: 1.70 Nm
 Coupling test torque: 0.80 Nm to 1.10 Nm
 Durability: >500 cycles

4. ENVIRONMENTAL CHARACTERISTICS

Temperature range: -55°C~+125°C

		TITLE: 2.92mm Female Solderless PCB Compression Mount Connector, 2 Hole Flange	
APPROVED:	CUSTOMER P/N: RF292DJB	DRAWING NO.	TOLERANCES ARE: DECIMALES ANGLES
CHECKED:	SCALE: 5 : 1	ORDER NO. 805000-00-342	.x ±0.5 x.° ±5.0° .xx ±0.3 .x° ±3.0°
DRAWING: LY	DATE: 2021-09-18	THIRD ANGLE PROJECTION	UNITS: mm SHEET: 1 OF 1 SIZE: A4