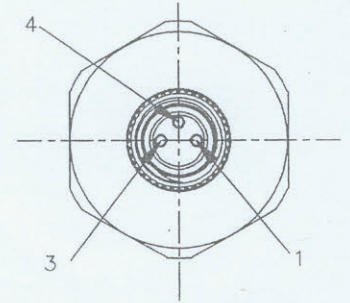
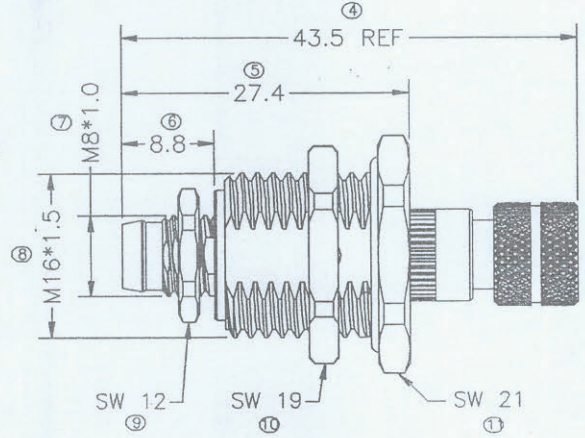
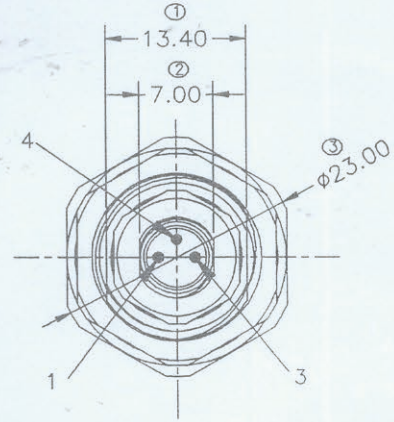
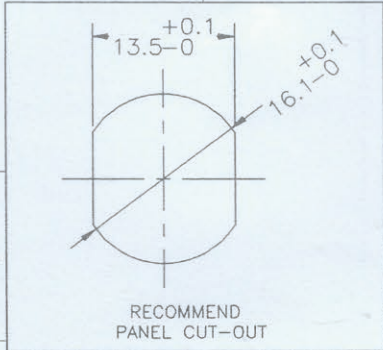


REV	DESCRIPTION	DATE	APPROVED
SO	CREATED DRAWING	2020/11/25	ZK

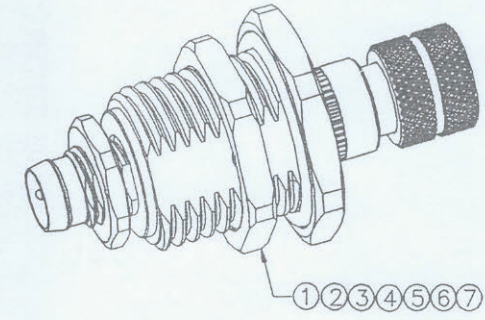


Detailed Product Description:  
Waterproof connector rating is IP67  
They can not be used permanently under water  
Per ISO-20653, IEC60529

Electrical character  
Rating voltage: 60V AC/DC  
Insulation resistance: >100MΩ  
Rating current: 3A  
Contact resistance ≤10mΩ

Other Specification  
Contact PIN: Phosphor bronze with Gold plating.  
Coupling nut/screw: Brass with nickel plating  
Insulation plastic: PA66+GF  
Operating temperature: -25°C ~ +85°C

\*ALL MATERIALS ARE RoHS COMPLIANT.



⑦	GL00002	BLACK EPOXY RESIN	2	G
⑥	OR00004	O-RING GREEN FKM #4.34*0.76mm	1	PCS
⑤	OR00186	O-RING GREEN FKM #16.0*1.5mm	1	PCS
④	NU00005-1	M8*1.0 BRASS PLATED NI NUT L*W=2.0*12mm	1	PCS
③	NU00008	M16*1.5 BRASS PLATED NI NUT L*W=2.8*19mm	1	PCS
②	N/A	M8*1.0 BRASS PLATED NI ADAPTER SHELL M16*1.5	1	SET
①	N/A	M8 A CODING 3PIN MALE TO FEMALE CONNECTOR	1	SET
ITEM	PART NO.	SPECIFICATION	Q'TY	UNIT

**SIGNAL**<sup>®</sup>  
ShenZhen Signal Electronics co.,Ltd

DRAWN BY: \_\_\_\_\_ DATE: \_\_\_\_\_  
 CHECKED BY: \_\_\_\_\_ DATE: \_\_\_\_\_  
 APPROVED BY: \_\_\_\_\_ DATE: \_\_\_\_\_

THE INFORMATION CONTAINED IN THIS DRAWING IS THE SOLE PROPERTY OF SIGNAL COMPANY. ANY REPRODUCTION IN PART OR WHOLE WITHOUT THE WRITTEN PERMISSION OF SIGNAL COMPANY IS PROHIBITED.

TITLE		REV.	
M8 3P/F MALE TO FEMALE ADAPTER		N/A	
SGN NO		SO	
DWG NO		SO	
CUSTOMER		SO	
TOLERANCES ARE:		THIRD ANGLE PROJECTION	
DECIMALES	ANGLES	SIZE: A4	UNITS: mm
.x ±0.5	x.' ±2.0'	SCALE:	SHEET: 1 OF 1
.xx ±0.20	.x' ±1.0'		