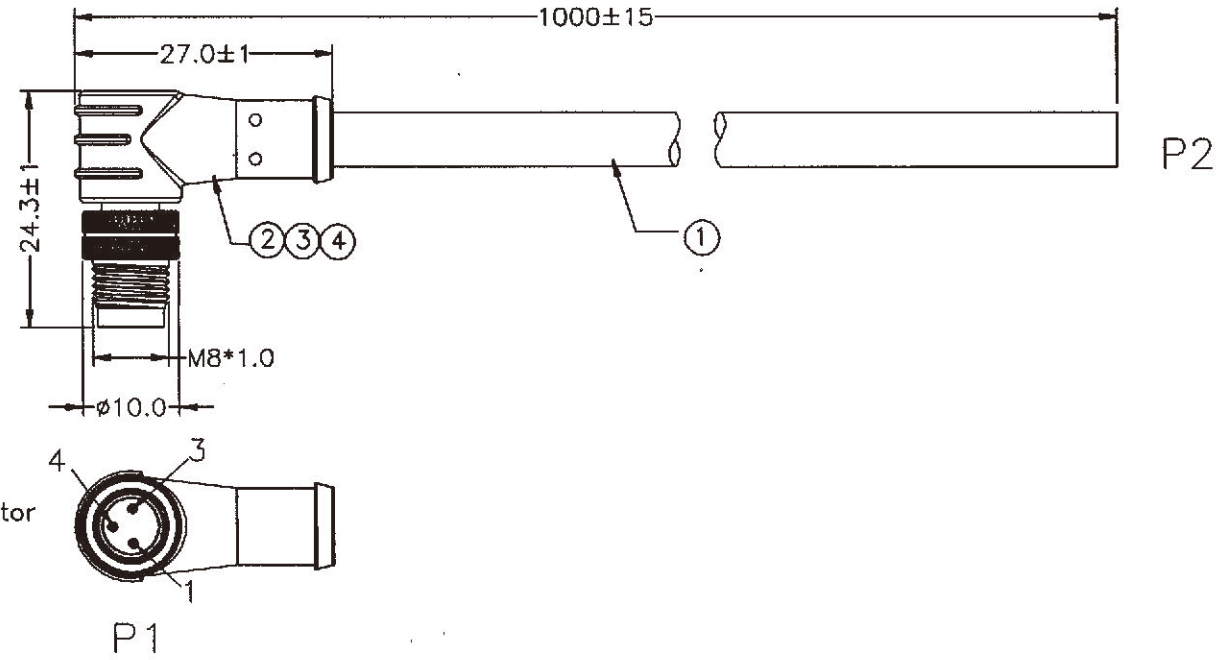


REV	DESCRIPTION	DATE	APPROVED
S0	CREATED DRAWING	2020/10/29	XFY



Detailed Product Description:
 Waterproof connector rating is IP67
 They can not be used permanently under water.
 Per ISO-20653,IEC60529
 Destructive withstand force between connector and overmold exceeds 5.0kgf.


Connector Electrical character
 Rating voltage: 60V
 Insulation resistance: >100MΩ
 Rating current : 3A
 Contact resistance of connector ≤10mΩ
Mechanical characteristics: mating / cycle >100 cycle
 Operating temperature: -25°C ~ +85°

TESTING CONDITIONS:
 1. VOLTAGE:300V DC/0.1S.
 2.100% OPEN AND SHORT ELECTRICAL TEST.

*ALL MATERIALS ARE RoHS COMPLIANT.

WIRE LIST

P1	COLOR	P2
1	BROWN	OPEN
3	BLUE	
4	BLACK	



SIGNAL[®]

Shenzhen Signal Electronics Co., LTD

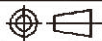
TITLE M8 A CODING 3P/M ANGEL PUR CABLE

SGN NO 080103-05-001

DWG NO

CUSTOMER

REV. S0

DRAWN BY	DATE	TOLERANCES ARE: DECIMALES .X ±0.5 .XX ±0.20 ANGLES x.' ±2.0' x.' ±1.0'	THIRD ANGLE PROJECTION 
CHECKED BY	DATE		
APPROVED BY	DATE		

THE INFORMATION CONTAINED IN THIS DRAWING IS THE SOLE PROPERTY OF SIGNAL COMPANY. ANY REPRODUCTION IN PART OR WHOLE WITHOUT THE WRITTEN PERMISSION OF SIGNAL COMPANY IS PROHIBITED.

SIZE: A4 UNITS: mm SCALE: SHEET: 1 OF 1

ITEM	PART NO.	SPECIFICATION	Q'TY	UNIT
④	PL00106	Amber transparent low pressure injection compound	3	g
③	PL00008	BLACK PVC 30P	6	g
②	080103-20-001	M8 A CODING 3P/M CONNECTOR	1	SET
①	CA00324	24AWG*3C JACKET BLACK PUR OD=4.6mm	1	PCS