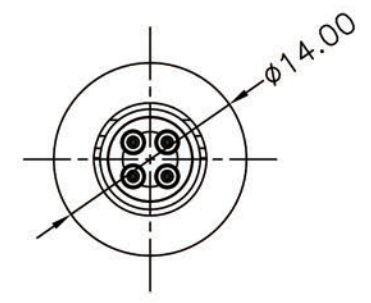
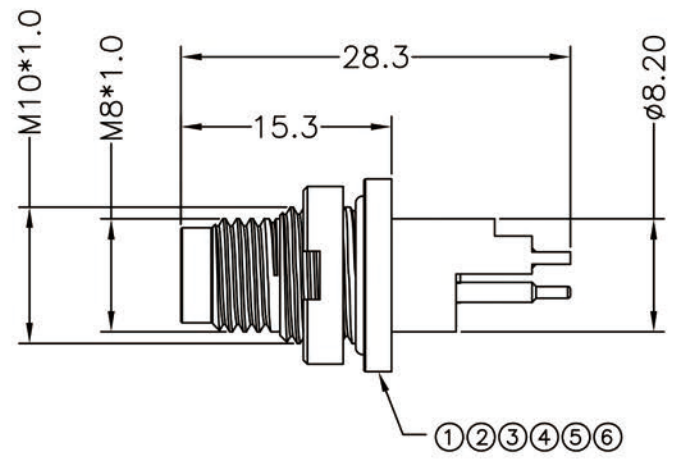
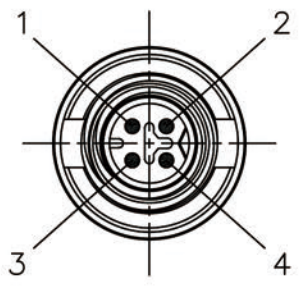


REV	DESCRIPTION	DATE	APPROVED
S0	CREATED DRAWING	2019/4/19	ZK

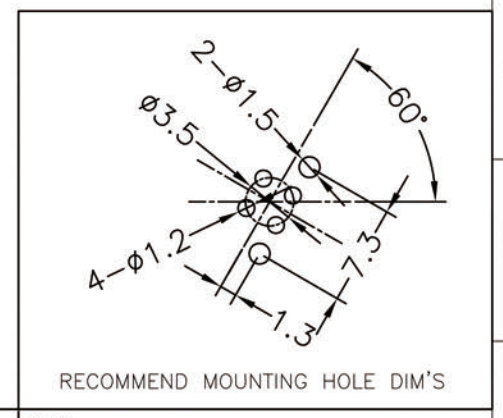
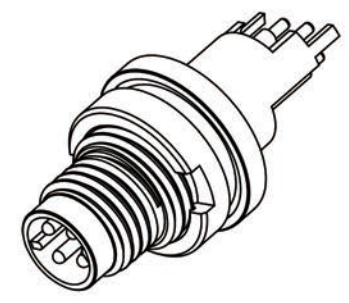


Detailed Product Description:  
 Waterproof connector rating is IP67  
 They can not be used permanently under water.

Electrical character  
 Rating voltage: 60V AC/DC  
 Insulation resistance: >100M $\Omega$   
 Rating current: 4A  
 Contact resistance:  $\leq 10\text{m}\Omega$

Other Specification  
 Contact Pin: Brass with gold-plated  
 Insulation plastic: PA66+GF  
 Operating temperature:  $-25^{\circ}\text{C} \sim +85^{\circ}\text{C}$

\*ALL MATERIALS ARE RoHS COMPLIANT.



ITEM	PART NO.	SPECIFICATION	Q'TY	UNIT
⑥	GL00002	EPOXY RESIN	2	G
⑤	OR00016	O-RING BLACK $\phi 8.0 \times \phi 10.0 \times \phi 1.0\text{mm}$	1	PCS
④	N/A	M8 P CODING BRASS PLATED GOLD L=27.9* $\phi 1.0\text{mm}$	4	PCS
③	NU00077	M8 P CODING BRASS PLATED NI NUT L*W=12.9*2.9mm	1	PCS
②	YDCN0174	M8 P CODING 4 PIN MALE PA66+GF L=20.3mm	1	PCS
①	N/A	SHELL MALE FRONT FASTENED BRASS PLATED OF NI $\phi 14 \times 26.0\text{mm}$	1	PCS

**SIGNAL**<sup>®</sup>  
 Shenzhen Signal Electronics Co., LTD

DRAWN BY: \_\_\_\_\_ DATE: \_\_\_\_\_  
 CHECKED BY: \_\_\_\_\_ DATE: \_\_\_\_\_  
 APPROVED BY: \_\_\_\_\_ DATE: \_\_\_\_\_

THE INFORMATION CONTAINED IN THIS DRAWING IS THE SOLE PROPERTY OF SIGNAL COMPANY. ANY REPRODUCTION IN PART OR WHOLE WITHOUT THE WRITTEN PERMISSION OF SIGNAL COMPANY IS PROHIBITED.

TITLE M8 P CODING 4PIN MALE FRONT FASTENED CONNECTOR		REV.
SGN NO	080904-03-003	SO
DWG NO		
CUSTOMER		
TOLERANCES ARE:		THIRD ANGLE PROJECTION
DECIMALES	ANGLES	SIZE: A4
.x $\pm 0.5$	.x' $\pm 2.0'$	UNITS: mm
.xx $\pm 0.20$	.x' $\pm 1.0'$	SCALE:
		SHEET: 1 OF 1