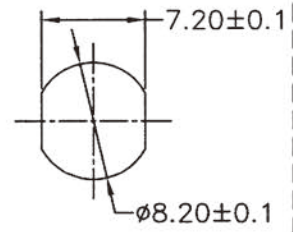
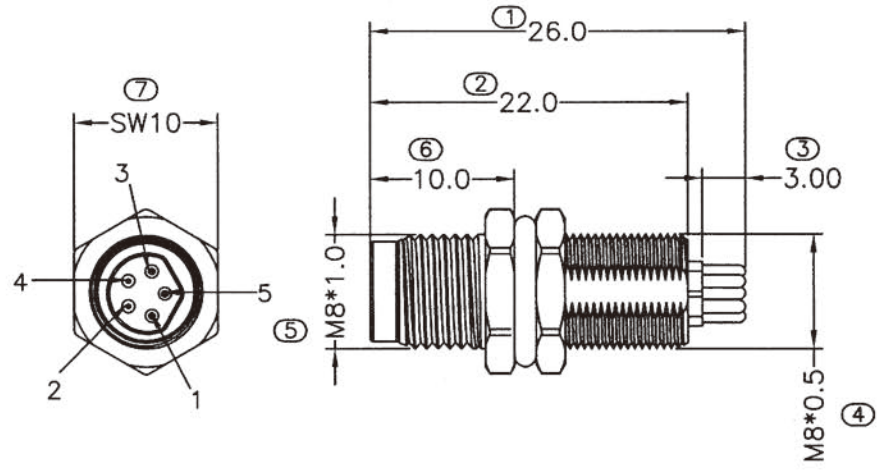


REV	DESCRIPTION	DATE	APPROVED
S0	CREATED DRAWING	2019/11/07	XFY



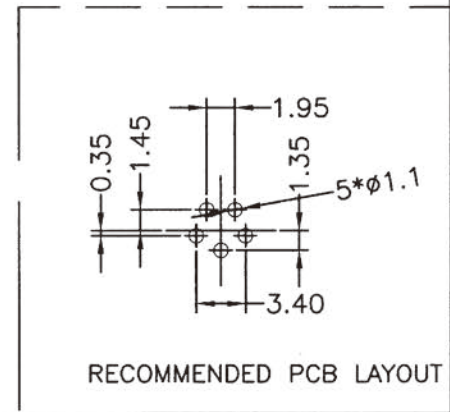
RECOMMEND  
PANEL CUT-OUT



Detailed Product Description:  
Waterproof connector rating is IP67  
They can not be used permanently under water.

Connector Electrical character  
Rating voltage: 30V  
Insulation resistance: >100MΩ  
Rating current: 3A  
Contact resistance of connector ≤5mΩ  
Mechanical characteristics: mating/cycle >100 cycle  
Operating temperature: -25°C ~ +85°C

\*ALL MATERIALS ARE RoHS COMPLIANT.



RECOMMENDED PCB LAYOUT

ITEM	PART NO.	SPECIFICATION	Q'TY	UNIT
⑤	NU00004	M8*0.5 BRASS PLATED NI NUT L*W=2.0*10mm	1	PCS
④	GL00002	BLACK EPOXY RESIN	2	G
③	OR00012	O-RING Green FKM φ7.00*1.5mm	1	PCS
②	WK00025	M8 Nickel plated brass nut rear panel mount male shell	1	PCS
①	N/A	M8 B CODING 5PIN MALE CONNECTOR	1	SET

**SIGNAL**<sup>®</sup>

Shenzhen Signal Electronics Co., LTD

DRAWN BY		DATE		TITLE M8 B 5P/M REAR FASTENED CONNECTOR	
CHECKED BY		DATE		SGN NO	080205-03-002
APPROVED BY		DATE		DWG NO	
				CUSTOMER	
				REV.	S0

TOLERANCES ARE:		THIRD ANGLE PROJECTION	
DECIMALES	ANGLES	SIZE: A4	UNITS: mm
.x ±0.5	x' ±2.0'	SCALE:	SHEET: 1 OF 1
.xx ±0.20	.x' ±1.0'		

THE INFORMATION CONTAINED IN THIS DRAWING IS THE SOLE PROPERTY OF SIGNAL COMPANY. ANY REPRODUCTION IN PART OR WHOLE WITHOUT THE WRITTEN PERMISSION OF SIGNAL COMPANY IS PROHIBITED.