

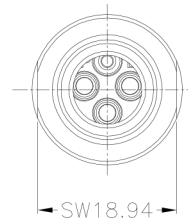
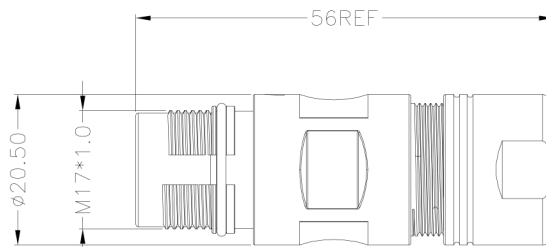
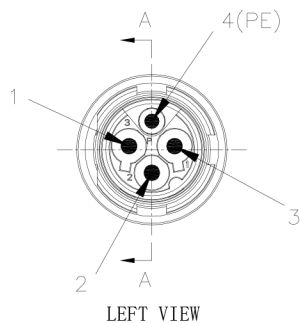
说明:

额定电压: 见附表
 绝缘电阻: > 100MΩ
 额定电流: 见附表
 连接器的接触电阻 ≤ 10mΩ
 插拔/周期 > 100 cycle
 防护等级: IP67
 操作温度: -25° C ~ + 125° C
 接线OD: 8~10mm

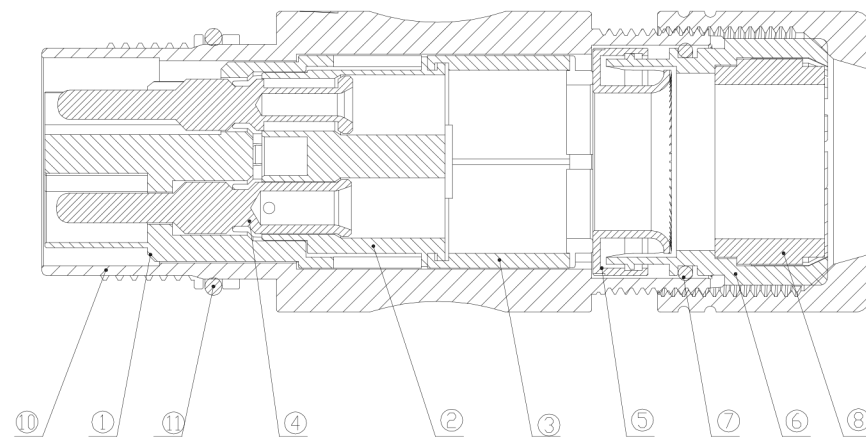
测试条件

导通阻抗: 0.5Ω MAX
 绝缘阻抗: 10MΩ MIN
 电压: DC 5KV/0.1S

注: 1. 6芯 (5+PE) 即为8芯 (7+PE) 闭合PIN2和PIN5
 2. 端子④单独包装。



| SGN NO | ITEM | PART NO. | SPECIFICATION | Q' TY | 电压/V AC/DC | 电流/A | LEFT VIEW/1:2 |
|---------------|------|----------|-------------------------------|-------|---------------|------|---------------|
| 170004-01-001 | ④ | YDTE1144 | M17 铆铜镀金压接式公端子 φ2.0×20.1mm | 4 | 630 | 25 | |
| | ② | YDCN0975 | M17 4P 公头金属装配式尼龙后胶芯 L=14.5mm | 1 | | | |
| | ① | YDCN0976 | M17 4P 公头金属装配式尼龙前胶芯 L=25.7mm | 1 | | | |
| 170006-01-001 | ④ | YDTE1073 | M17 铆铜镀金压接式公端子 φ1.0×19.15mm | 6 | 630 | 14 | |
| | ② | YDCN0943 | M17 8P 金属装配式尼龙后胶芯 L=14.3mm | 1 | | | |
| | ① | YDCN0944 | M17 8P 公头金属装配式尼龙后胶芯 L=14.3mm | 1 | | | |
| 170007-01-001 | ④ | YDTE1073 | M17 铆铜镀金压接式公端子 φ1.0×19.15mm | 7 | 630 | 14 | |
| | ② | YDCN0940 | M17 7P 金属装配式尼龙后胶芯 L=14.3mm | 1 | | | |
| | ① | YDCN0941 | M17 7P 公头金属装配式尼龙前胶芯 L=25.7mm | 1 | | | |
| 170008-01-001 | ④ | YDTE1073 | M17 铆铜镀金压接式公端子 φ1.0×19.15mm | 8 | 630 | 14 | |
| | ② | YDCN0943 | M17 8P 金属装配式尼龙后胶芯 L=14.3mm | 1 | | | |
| | ① | YDCN0944 | M17 8P 公头金属装配式尼龙后胶芯 L=14.3mm | 1 | | | |
| 170009-01-001 | ④ | YDTE1073 | M17 铆铜镀金压接式公端子 φ1.0×19.15mm | 4 | 630 | 14 | |
| | ④ | YDTE1072 | M17 铆铜镀金压接式公端子 φ0.6×20.5mm | 5 | | | |
| | ② | YDCN0871 | M17 9P 公头金属装配式尼龙后胶芯 L=14.85mm | 1 | | | |
| | ① | YDCN0875 | M17 9P 公头金属装配式尼龙前胶芯 L=25.7mm | 1 | | | |



截面A-A
2:1

| | | | |
|---|------|-----------------|------------------------|
| SIGNAL [®] Shenzhen Signal Electronics co.,Ltd | | TITLE | |
| | | M17 公头金属装配式连接器 | |
| DRAWN BY | DATE | SGN NO | 见附表 |
| CHECKED BY | DATE | DWG NO | |
| CHECKED BY | DATE | CUSTOMER | |
| APPROVED BY | DATE | TOLERANCES ARE: | THIRD ANGLE PROJECTION |
| THE INFORMATION CONTAINED IN THIS DRAWING IS THE SOLE PROPERTY OF SIGNAL COMPANY. ANY REPRODUCTION IN PART OR WHOLE WITHOUT THE WRITTEN PERMISSION OF SIGNAL COMPANY IS PROHIBITED. | | DECIMALES | ANGLES |
| | | .x ±0.5 | x.* ±2.0° |
| | | .xx ±0.2 | .x.* ±1.0° |
| | | SIZE: A4 | UNITS: mm |
| | | SCALE: 1:1 | SHEET: 1 OF 1 |