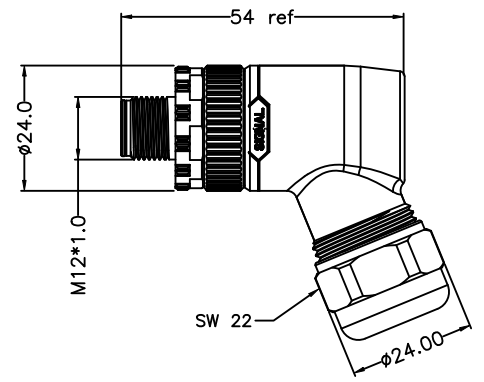
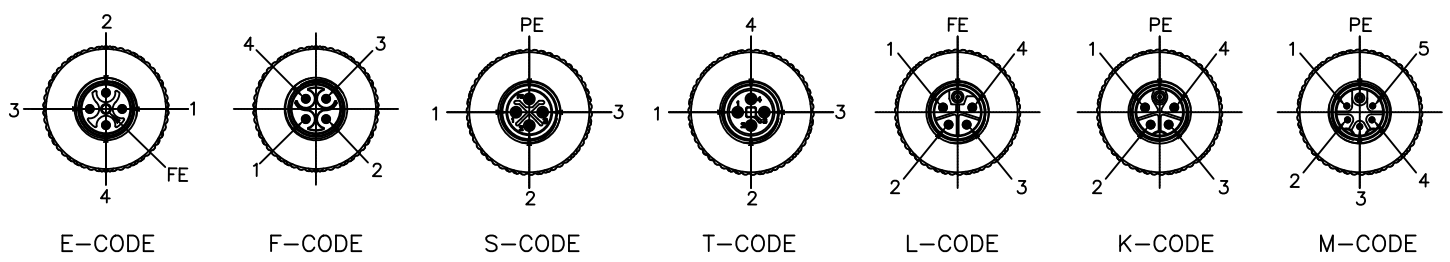


REV	DESCRIPTION	DATE	APPROVED
S0	CREATED DRAWING	2023/02/21	ZK
S1	DRAWING UPDATES	2024/06/25	CBT



Detailed Product Description:
Waterproof connector rating is IP67
They can not be used permanently under water
Per ISO-20653,IEC60529

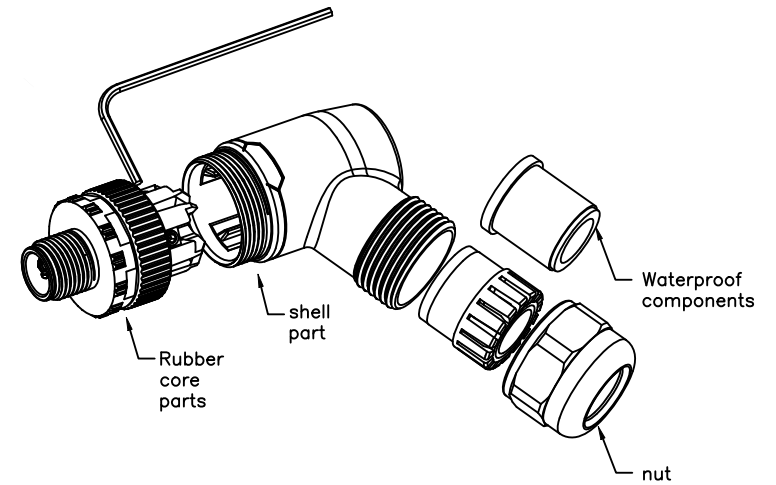
Other Specification
Contact Pin: Brass with gold-plated
Insulation plastic: PA66
Cable peeling: (covering: 30mm, Conductor: 5mm)
Cable OD: 8.0~12.0mm(2 types of waterproof hoses)
Mechanical characteristics: mating / cycle >100cycle
Operating temperature: -25°C ~ +85°C

Electrical character
Insulation resistance: >100MΩ
Contact resistance: ≤10mΩ

Electrical character

*ALL MATERIALS ARE RoHS COMPLIANT.

Part Number	CODE	Contacts	Function	Pin ϕ (mm)	Rated voltage		Rated current	Rated impulse voltage
					A/C	D/C		
121005-01-007	L		4+FE	1.5	63V	63V	16A	1.5KV
121305-01-007	K		4+PE	1.5	630V	630V	12A	6KV
121406-01-003	M		5+PE	1.0	630V	630V	8A	6KV
120504-01-005	S		3+PE	1.5	630V	630V	12A	6KV
120503-01-003	S		2+PE	1.5	630V	630V	12A	6KV
120604-01-007	T		4	1.5	63V	63V	12A	1.5KV
121105-01-003	E		4+FE	1.5	63V	63V	16A	1.5KV
121204-01-003	F		4	1.5	63V	63V	16A	1.5KV



SIGNAL[®]

Shenzhen Signal Electronics Co., LTD

TITLE M12 MALE PLASTIC ASSEMBLY CONNECTOR

SGN NO SEE TABLE

DWG NO

CUSTOMER

REV. S1

DRAWN BY	DATE	TOLERANCES ARE:	THIRD ANGLE PROJECTION
CHECKED BY	DATE		
CHECKED BY	DATE	DECIMALES	ANGLES
APPROVED BY	DATE	.x ±0.5	x.' ±2.0'
THE INFORMATION CONTAINED IN THIS DRAWING IS THE SOLE PROPERTY OF SIGNAL COMPANY. ANY REPRODUCTION IN PART OR WHOLE WITHOUT THE WRITTEN PERMISSION OF SIGNAL COMPANY IS PROHIBITED.		.xx ±0.20	.x' ±1.0'
		SCALE:	UNITS: mm
			SHEET: 1 OF