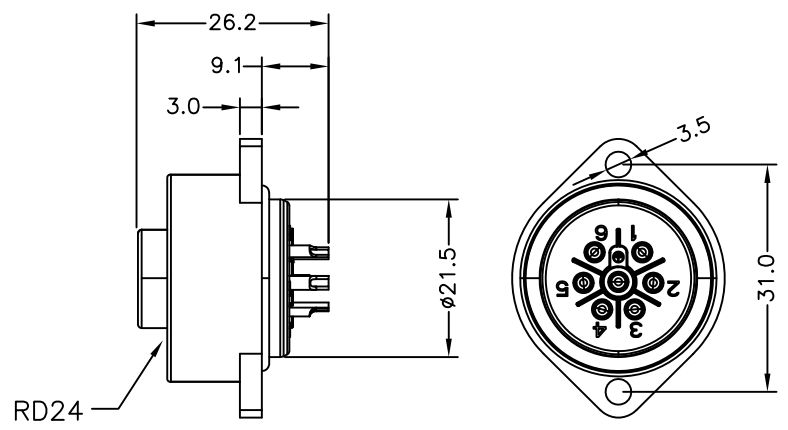
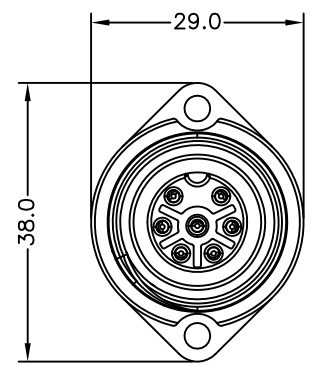
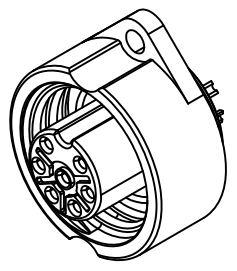


PROJECT NO:
SGNYD2204032

REV	DESCRIPTION	DATE	APPROVED
S0	CREATED DRAWING	2023/10/06	CYF



Detailed Product Description:
Waterproof connector rating is IP67
They can not be used permanently under water
Per ISO-20653, IEC60529

Screw clamp(18AWG~22AWG)

Electrical character
Rating voltage: 250 AC/DC
Insulation resistance: >100MΩ
Rating current: 8A
Contact resistance of connector ≤10mΩ
Mechanical characteristics: mating cycle >100cycles
Operating temperature: -40°C ~ +85°C

ALL MATERIALS ARE RoHS COMPLIANT

ITEM	PART NO.	SPECIFICATION	Q'TY	UNIT
④	N/A	O-RING NBR BLACK	1	SET
③	N/A	TERMINAL FEMALE COPPER ALLOY GOLD PLATING 3u"	1	SET
②	N/A	STAINLESS STEEL SCREW	1	SET
①	N/A	PLASTIC SHELL NYLON BLACK	1	SET

 ShenZhen Signal Electronics co., Ltd		TITLE RD24 6+PE FEMALE PANEL CONNECOTR	
		SGN NO 240007-04-001	REV. S0
DRAWN BY	DATE	DWG NO	
CHECKED BY	DATE	CUSTOMER	
CHECKED BY	DATE	TOLERANCES ARE:	
APPROVED BY	DATE	DECIMALES	THIRD ANGLE PROJECTION
<small>THE INFORMATION CONTAINED IN THIS DRAWING IS THE SOLE PROPERTY OF SIGNAL COMPANY. ANY REPRODUCTION IN PART OR WHOLE WITHOUT THE WRITTEN PERMISSION OF SIGNAL COMPANY IS PROHIBITED.</small>		.x ±0.5	ANGLES
		.xx ±0.20	x.' ±2.0'
		x.' ±1.0'	SCALE: 1:1
		SIZE: A4	UNITS: mm
		SHEET: 1 OF 1	