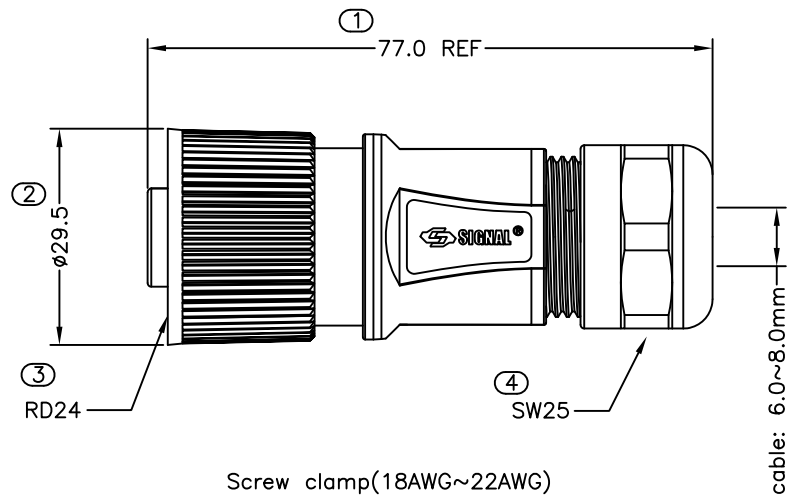
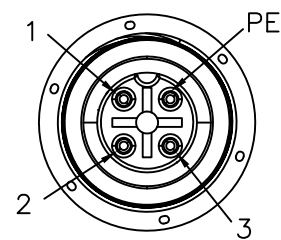


PROJECT NO:
SGNYD2305056

REV	DESCRIPTION	DATE	APPROVED
S0	CREATED DRAWING	2023/05/16	CYF



Detailed Product Description:
Waterproof connector rating is IP67
They can not be used permanently under water
Per ISO-20653,IEC60529

Electrical character
Rating voltage: 360 AC/DC
Insulation resistance: >100MΩ
Rating current: 16A
Contact resistance of connector ≤10mΩ
Mechanical characteristics: mating cycle >500cycles
Operating temperature: -25°C ~ +85°C

ALL MATERIALS ARE RoHS COMPLIANT

ITEM	PART NO.	SPECIFICATION	Q'TY	UNIT
④	N/A	O-RING BLACK	1	SET
③	N/A	TERMINAL FEMALE COPPER ALLOY GOLD PLATING 1u"	1	SET
②	N/A	RD24 3+PE FEMALE CONNECTOR	1	SET
①	N/A	PLASTIC ASSEMBLY BODY SHELL NYLON BLACK	1	SET

<p>SIGNAL[®]</p> <p>ShenZhen Signal Electronics co., Ltd</p>		TITLE		RD24 3+PE FEMALE ASSEMBLY CONNECOTR	
		SGN NO	240004-02-001	REV.	
DRAWN BY	DATE	DWG NO	SGNYD2305056-2	CUSTOMER	SO
CHECKED BY	DATE	TOLERANCES ARE:		THIRD ANGLE PROJECTION	
CHECKED BY	DATE	DECIMALES	.x ±0.5	ANGLES	x.' ±2.0'
APPROVED BY	DATE	.xx ±0.20	.x' ±1.0'	SIZE:	A4
<small>THE INFORMATION CONTAINED IN THIS DRAWING IS THE SOLE PROPERTY OF SIGNAL COMPANY. ANY REPRODUCTION IN PART OR WHOLE WITHOUT THE WRITTEN PERMISSION OF SIGNAL COMPANY IS PROHIBITED.</small>		SCALE: 1:1		UNITS:	mm
				SHEET: 1 OF 1	