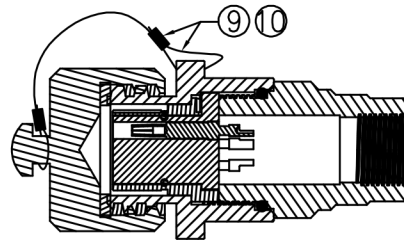
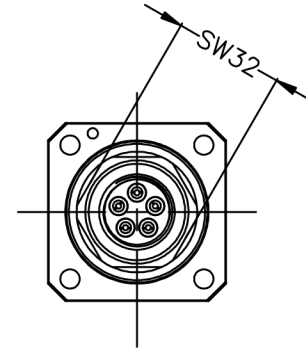
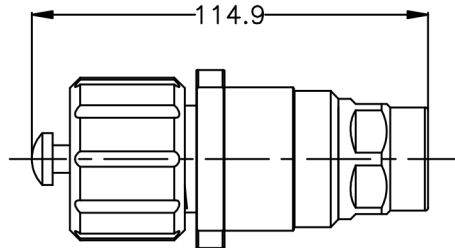
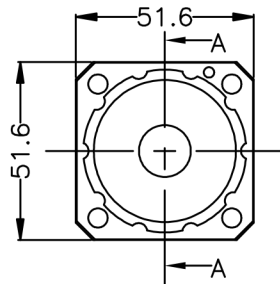
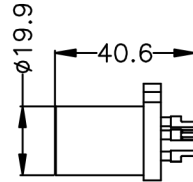
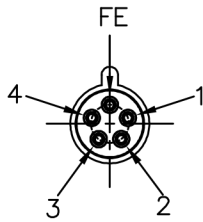
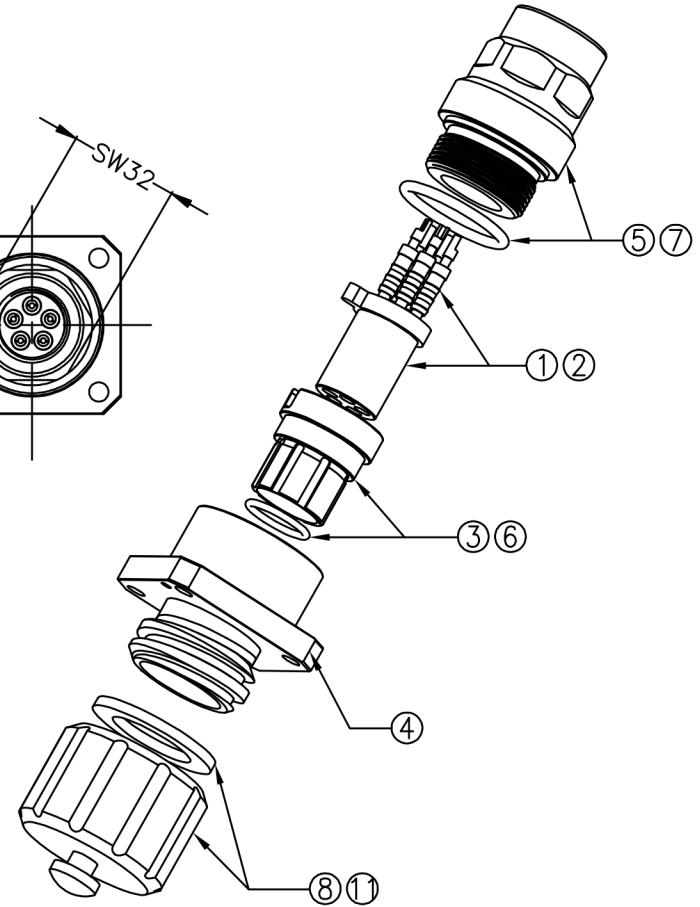


REV	DESCRIPTION	DATE	APPROVED
S0	CREATED DRAWING	2025/01/22	CZP



截面A-A



Electrical character

Rated voltage	380V AC/DC
Rated current	22A
Mechanical characteristics (mating cycle)	>100
Degree of protection (ISO-20653, IEC60529)	IP67
Operating temperature (depending on cable quality)	-25°C~+85°C
Destructive withstand force between connector and overmold exceeds	*
Tightening torque (range)	*
Pollution degree	3
ALL MATERIALS ARE RoHS COMPLIANT	



Shenzhen Signal Electronics co.,Ltd

TITLE
FEMALE STRAIGHT HEAD ASSEMBLY 5P
(WITH DUST COVER)

DRAWN BY	DATE
CHECKED BY	DATE
CHECKED BY	DATE
APPROVED BY	DATE

SGN NO	940005-02-001	REV.
DWG NO		
CUSTOMER		S0

TOLERANCES ARE:	THIRD ANGLE PROJECTION	
DECIMALES	ANGLES	
.x ±0.50	x.* ±2.0°	
.xx ±0.20	.x.* ±1.0°	
SIZE: A4	UNITS: mm	
SCALE: 1:1	SHEET: 1 OF 1	

THE INFORMATION CONTAINED IN THIS DRAWING IS THE SOLE PROPERTY OF SIGNAL COMPANY. ANY REPRODUCTION IN PART OR WHOLE WITHOUT THE WRITTEN PERMISSION OF SIGNAL COMPANY IS PROHIBITED.