

PROJECT NO:
SGNYD1805059

REV	DESCRIPTION	DATE	APPROVED
S0	CREATED DRAWING	2018/08/01	YMX

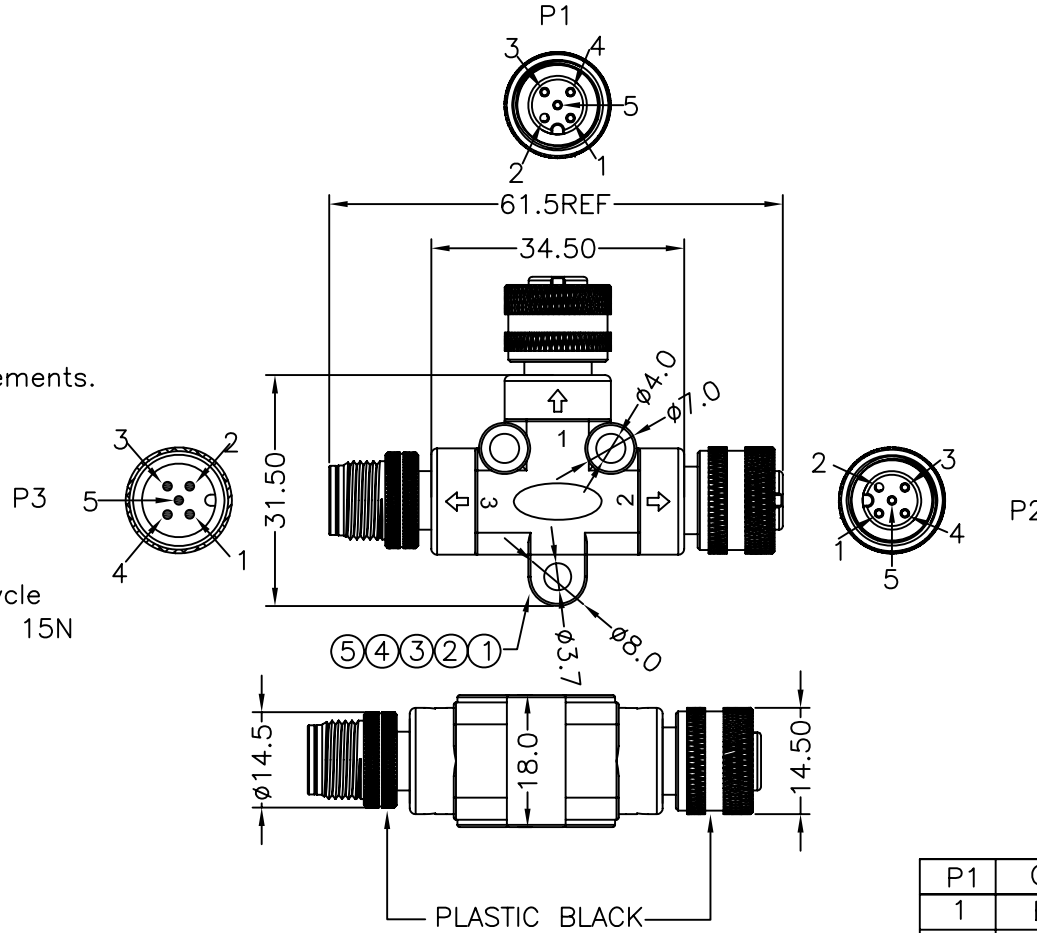
Detailed Product Description:
Waterproof connector rating is IP67
They can not be used permanently under water.
Waterproof SR Molding rating from custom requirements.

Connector Electrical character
Rating voltage: 60V ,
Insulation resistance: >100MΩ
Rating current : 4A
Contact resistance of connector ≤5mΩ
Mechanical characteristics: mating / cycle >100cycle
Total Insertion/Withdrawal Forces: Max. 10N/Max. 15N
Operating temperature: -25°C ~ +85°
Suggested Storage Temperature: 25°C +/-10°C

TESTING CONDITIONS:

- VOLTAGE:300V DC/0.1S.
- INSULATION RESISTANCE: 10 Mohms min.
- CONDUCTIVE RESISTANCE: 5 Ohms max.
- 100% OPEN AND SHORT ELECTRICAL TEST.


*ALL MATERIALS ARE RoHS COMPLIANT.



WIRE LIST

P1	COLOR	P2	P3
1	BROWN	1	1
2	WHITE	2	2
3	BLUE	3	3
4	BLACK	4	4
5	GRAY	5	5

ITEM	PART NO.	SPECIFICATION	Q'TY	UNIT
⑤	PL00008	BLACK PVC 30P	12	g
④	PL00007	HD PE	6	g
③	N/A	M12 A Coding 5pin female connector(terminals gold-plated 3U")	2	SET
②	N/A	M12 A Coding 5pin male connector(terminals gold-plated 3U")	1	SET
①	N/A	UL1007 22AWG HOOK UP WIRE	1	PCS



SIGNAL®

Shenzhen Signal Electronics Co., LTD

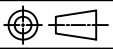
TITLE: M12 A 5P/F TO 5P/F+5P/M CONNECTOR

SGN NO: 120105-10-584

DWG NO: _____

CUSTOMER: _____

REV: S0

DRAWN BY	DATE	TOLERANCES ARE: DECIMALES .x ±0.5 .xx ±0.20 ANGLES x.' ±2.0' .x' ±1.0'	THIRD ANGLE PROJECTION 
CHECKED BY	DATE		
APPROVED BY	DATE		

THE INFORMATION CONTAINED IN THIS DRAWING IS THE SOLE PROPERTY OF SIGNAL COMPANY. ANY REPRODUCTION IN PART OR WHOLE WITHOUT THE WRITTEN PERMISSION OF SIGNAL COMPANY IS PROHIBITED.

SIZE: A4	UNITS: mm
SCALE:	SHEET: 1 OF 1