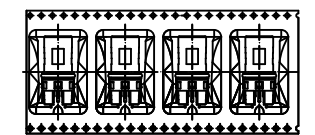
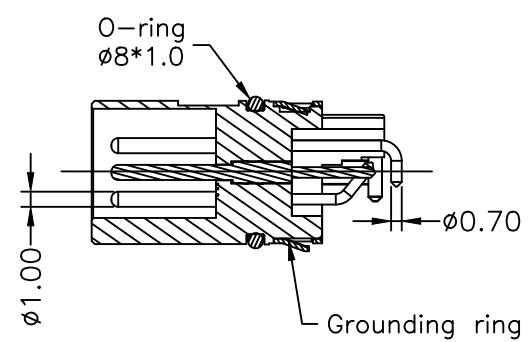
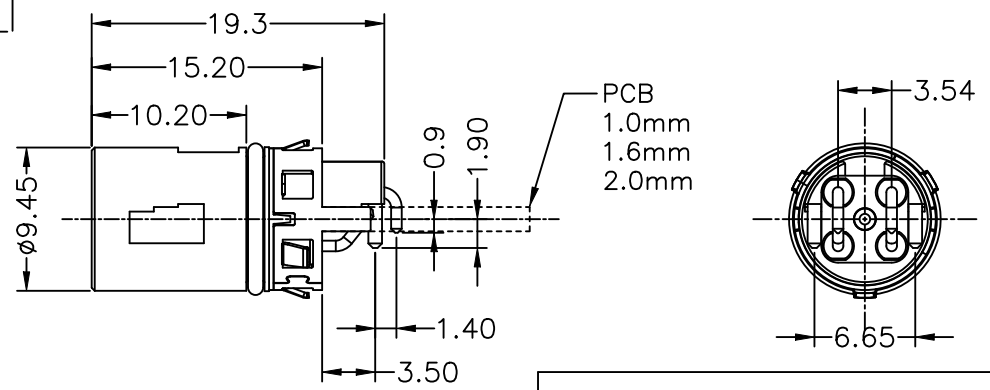
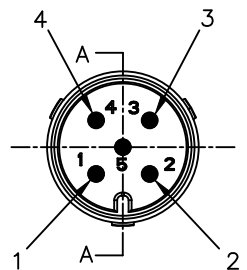
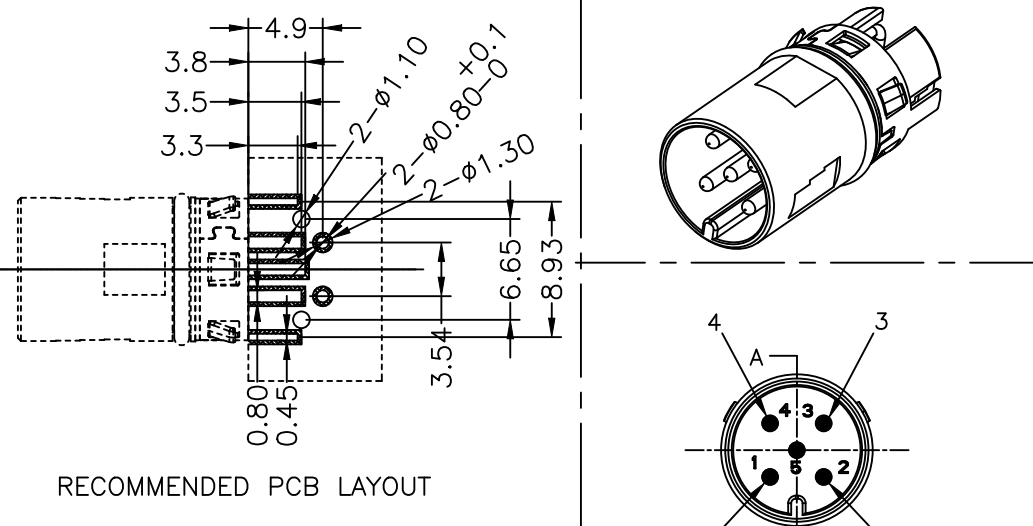
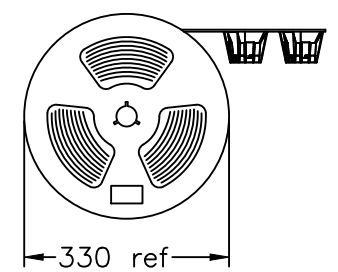


REV	DESCRIPTION	DATE	APPROVED
S0	CREATED DRAWING	2024/09/06	ZK



packing in reels



Pack 250 pcs per roll

Detailed Product Description:
Waterproof connector rating is IP67
They can not be used permanently under water
Per ISO-20653,IEC60529

Electrical character
Rating voltage: 60AC/DC
Insulation resistance: >100MΩ
Rating current: 4A
Contact resistance ≤10mΩ

Other Specification
Contact PIN: Copper alloy with Gold plating
Insulation plastic: LCP(UL94V-0)
Operating temperature: -40°C ~ +105°C

*ALL MATERIALS ARE RoHS COMPLIANT.

⑥	OR00016	O-RING BLACK SILICONE φ8.0*1.0mm	1	PCS
⑤	YDWJ0230	PHOSPHOR BRONZE GROUNDING PIECE	1	PCS
④	YDTE1595	M12 BRASS PLATED GOLD MALE TERMINAL(C)	1	PCS
③	YDTE1374	M12 BRASS PLATED GOLD MALE TERMINAL(B)	2	PCS
②	YDTE1373	M12 BRASS PLATED GOLD MALE TERMINAL(A)	2	PCS
①	YDCN1530	M12 A CODING 5PIN MALE HOUSING	1	PCS
ITEM	PART NO.	SPECIFICATION	Q'TY	UNIT

SIGNAL[®]
ShenZhen Signal Electronics co.,Ltd

DRAWN BY	DATE
CHECKED BY	DATE
CHECKED BY	DATE
APPROVED BY	DATE

THE INFORMATION CONTAINED IN THIS DRAWING IS THE SOLE PROPERTY OF SIGNAL COMPANY. ANY REPRODUCTION IN PART OR WHOLE WITHOUT THE WRITTEN PERMISSION OF SIGNAL COMPANY IS PROHIBITED.

TITLE M12 A 5P/M ANGLE DIP CONNECTOR(WITH SHIELD)		REV.
SGN NO 120105-03-225S		
DWG NO		S0
CUSTOMER		
TOLERANCES ARE:		THIRD ANGLE PROJECTION
DECIMALES	ANGLES	
.x ±0.5	x' ±2.0'	SIZE: A4
.xx ±0.2	.x' ±1.0'	UNITS: mm
SCALE:		SHEET: 1 OF 1