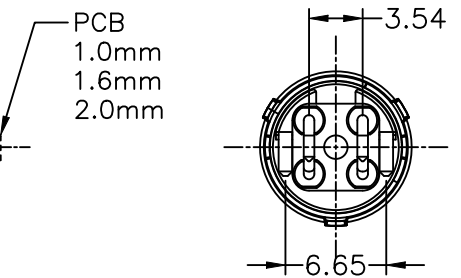
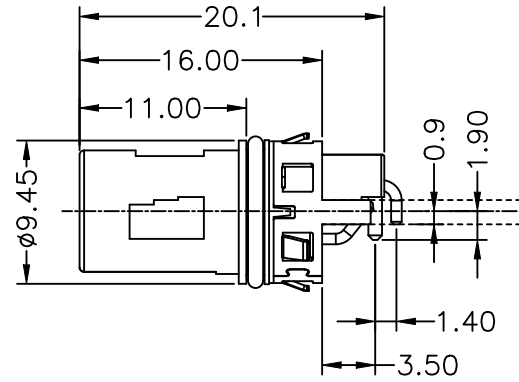
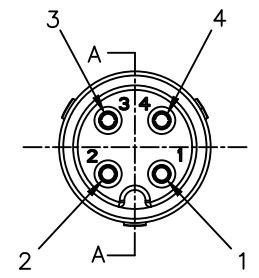
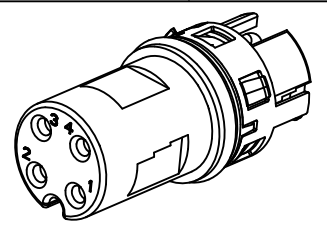
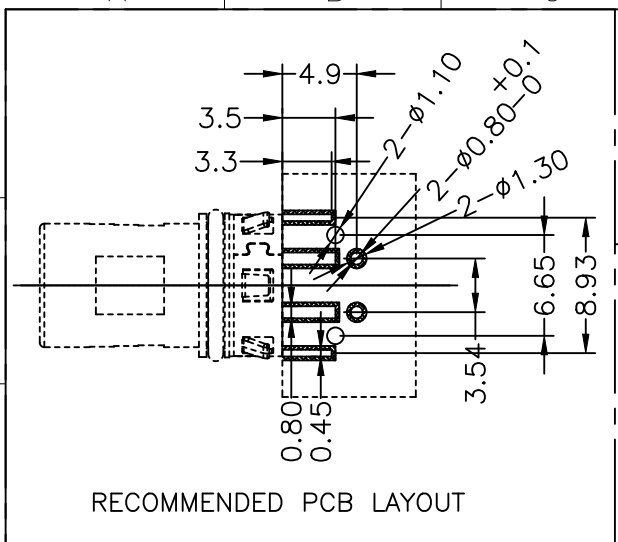


REV	DESCRIPTION	DATE	APPROVED
S0	CREATED DRAWING	2024/09/06	ZK

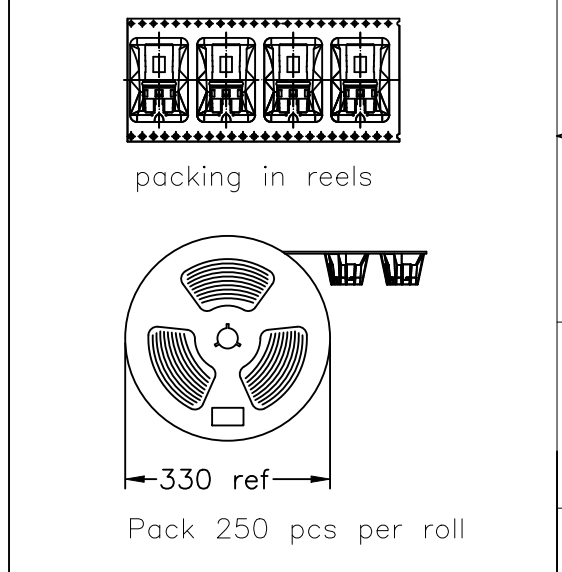
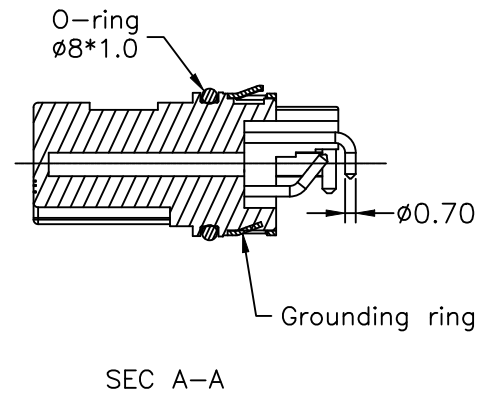


Detailed Product Description:
 Waterproof connector rating is IP67
 They can not be used permanently under water
 Per ISO-20653,IEC60529

Electrical character
 Rating voltage: 250AC/DC
 Insulation resistance: >100MΩ
 Rating current: 4A
 Contact resistance ≤10mΩ

Other Specification
 Contact PIN: Copper alloy with Gold plating
 Insulation plastic: LCP(UL94V-0)
 Operating temperature: -40°C ~ +105°C

*ALL MATERIALS ARE RoHS COMPLIANT.



⑤	OR00016	O-RING BLACK SILICONE φ8.0*1.0mm	1	PCS
④	YDWJ0230	PHOSPHOR BRONZE GROUNDING PIECE	1	PCS
③	YDTE1376	M12 COPPER ALLOY PLATED GOLD FEMALE TERMINAL(B)	2	PCS
②	YDTE1375	M12 COPPER ALLOY PLATED GOLD FEMALE TERMINAL(A)	2	PCS
①	YDCN1532	M12 A CODING 4PIN FEMALE HOUSING	1	PCS
ITEM	PART NO.	SPECIFICATION	Q'TY	UNIT

SIGNAL[®]

ShenZhen Signal Electronics co.,Ltd

DRAWN BY		DATE		TITLE M12 A 4P/F ANGLE DIP CONNECTOR(WITH SHIELD)	
CHECKED BY		DATE		SGN NO 120104-04-150S	
CHECKED BY		DATE		REV. S0	
APPROVED BY		DATE		DWG NO	
				CUSTOMER	
				TOLERANCES ARE:	
				THIRD ANGLE PROJECTION	
				SIZE: A4 UNITS: mm	
				SCALE: SHEET: 1 OF 1	

THE INFORMATION CONTAINED IN THIS DRAWING IS THE SOLE PROPERTY OF SIGNAL COMPANY. ANY REPRODUCTION IN PART OR WHOLE WITHOUT THE WRITTEN PERMISSION OF SIGNAL COMPANY IS PROHIBITED.