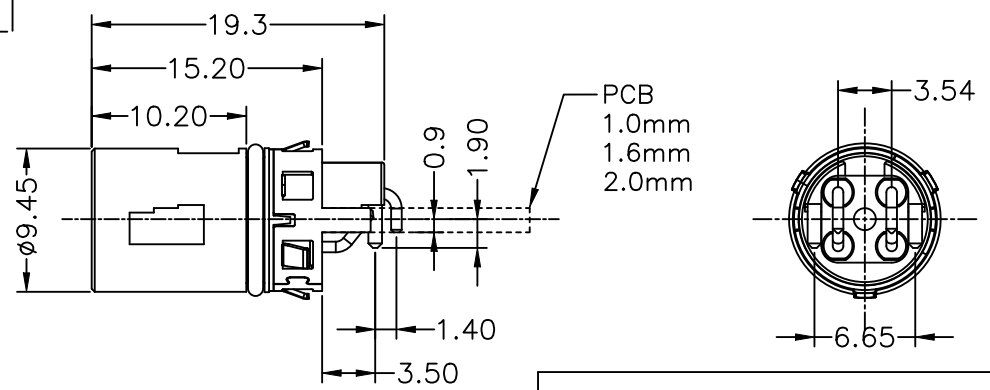
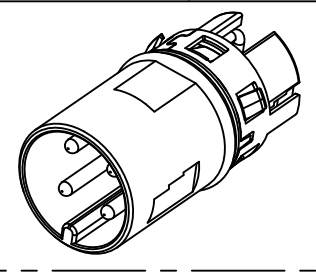
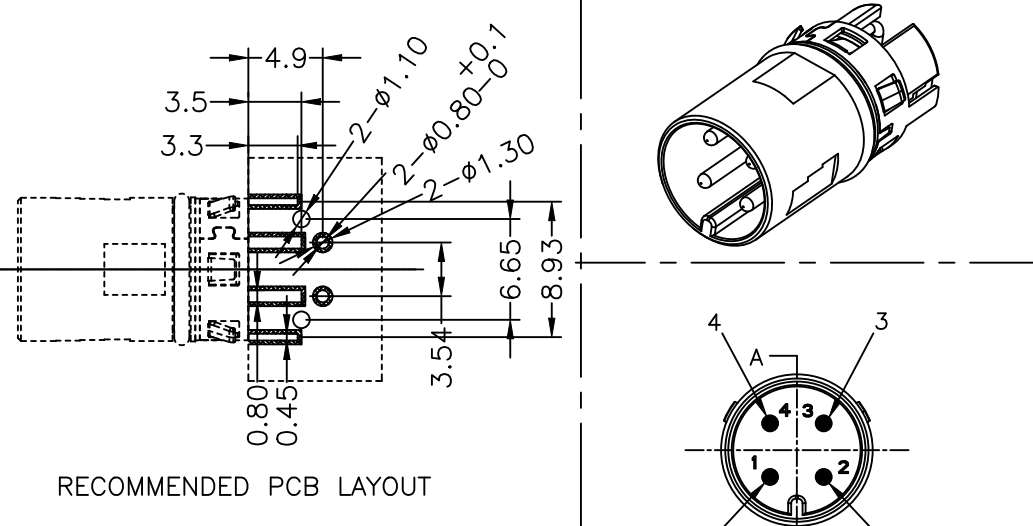


REV	DESCRIPTION	DATE	APPROVED
S0	CREATED DRAWING	2024/09/06	ZK

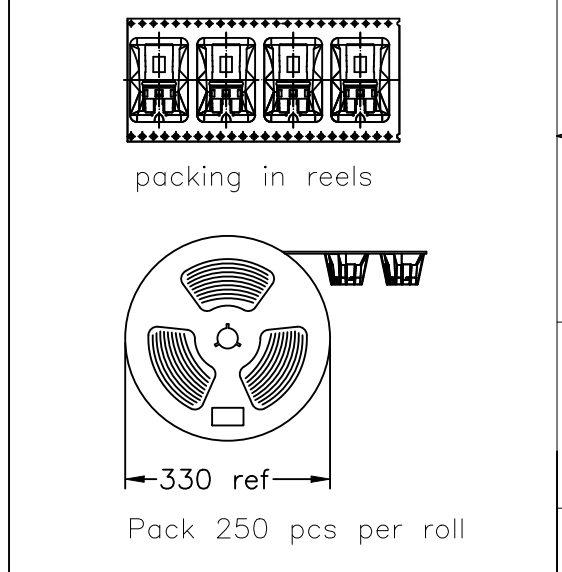
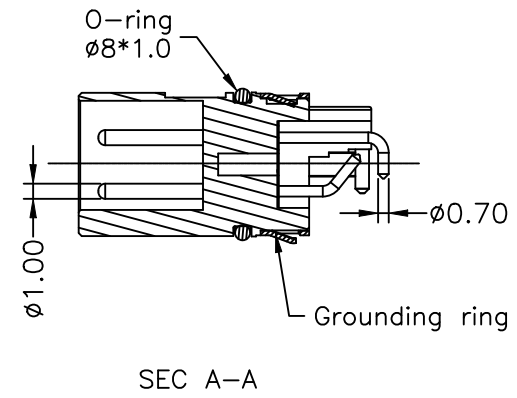


Detailed Product Description:  
 Waterproof connector rating is IP67  
 They can not be used permanently under water  
 Per ISO-20653,IEC60529

Electrical character  
 Rating voltage: 250AC/DC  
 Insulation resistance: >100MΩ  
 Rating current: 4A  
 Contact resistance ≤10mΩ

Other Specification  
 Contact PIN: Copper alloy with Gold plating  
 Insulation plastic: LCP(UL94V-0)  
 Operating temperature: -40°C ~ +105°C

\*ALL MATERIALS ARE RoHS COMPLIANT.



ITEM	PART NO.	SPECIFICATION	Q'TY	UNIT
⑤	OR00016	O-RING BLACK SILICONE φ8.0*1.0mm	1	PCS
④	YDWJ0230	PHOSPHOR BRONZE GROUNDING PIECE	1	PCS
③	YDTE1374	M12 BRASS PLATED GOLD MALE TERMINAL(B)	2	PCS
②	YDTE1373	M12 BRASS PLATED GOLD MALE TERMINAL(A)	2	PCS
①	YDCN1529	M12 A CODING 4PIN MALE HOUSING	1	PCS

**SIGNAL**<sup>®</sup>

ShenZhen Signal Electronics co.,Ltd

DRAWN BY		DATE		TITLE M12 A 4P/M ANGLE DIP CONNECTOR(WITH SHIELD)	
CHECKED BY		DATE		SGN NO 120104-03-179S	
CHECKED BY		DATE		DWG NO	
APPROVED BY		DATE		CUSTOMER	
THE INFORMATION CONTAINED IN THIS DRAWING IS THE SOLE PROPERTY OF SIGNAL COMPANY. ANY REPRODUCTION IN PART OR WHOLE WITHOUT THE WRITTEN PERMISSION OF SIGNAL COMPANY IS PROHIBITED.		TOLERANCES ARE:		THIRD ANGLE PROJECTION	
		DECIMALES	ANGLES	SIZE: A4	UNITS: mm
		.x ±0.5	x' ±2.0'	SCALE:	SHEET: 1 OF 1
		.xx ±0.2	.x' ±1.0'		