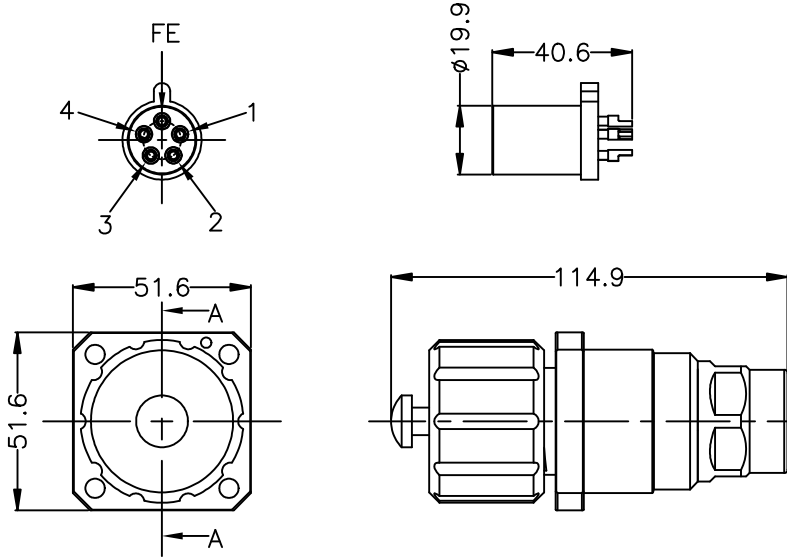
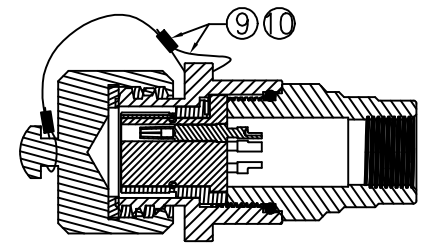


REV	DESCRIPTION	DATE	APPROVED
S0	CREATED DRAWING	2025/01/22	CZP

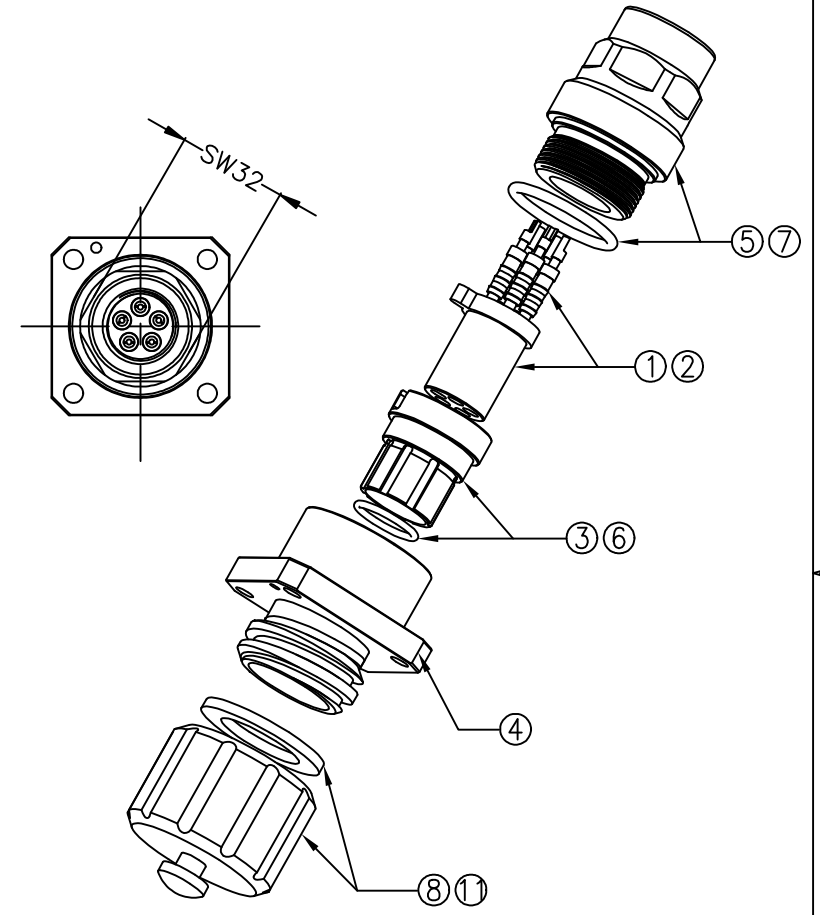


Electrical character


Rated voltage	380V AC/DC
Rated current	22A
Mechanical characteristics (mating cycle)	>100
Degree of protection (ISO-20653, IEC60529)	IP67
Operating temperature (depending on cable quality)	-25°C~+85°C
Destructive withstand force between connector and overmold exceeds	*
Tightening torque (range)	*
Pollution degree	3
ALL MATERIALS ARE RoHS COMPLIANT	



截面A-A



①	YDCN1753	FEMALE ALUMINIUM ALLOY DUST COVER	1	PCS
⑩	YDWJ0263	DUST COVER WIREROPE CLIP	2	PCS
⑨	YDWJ0262	DUST COVER WIREROPE ϕ 1.2mm, L=260mm	1	PCS
⑧	YDOR0335	WHITE FLAT WASHER	1	PCS
⑦	YDOR0336	HNBR BLACK O-RING	1	PCS
⑥	OR00055-1	NBR BLACK O-RING	1	PCS
⑤	YDWK1075	FEMALE ASSEMBLY ALUMINIUM ALLOY TAIL LOCKING SHELL	1	PCS
④	YDWK1073	FEMALE ASSEMBLY BODY ALUMINIUM ALLOY SHELL	1	PCS
③	YDWK1077	FEMALE ALUMINIUM ALLOY SHELL	1	PCS
②	YDTE1758	FEMALE TERMINAL GOLD-PLATED 3u"	5	PCS
①	YDCN1750	5PIN FEMALE HOUSING WITH	1	PCS
ITEM	PART NO.	SPECIFICATION	Q'TY	UNIT



SIGNAL[®]

Shenzhen Signal Electronics co.,Ltd

TITLE
FEMALE STRAIGHT HEAD ASSEMBLY 5P
(WITH DUST COVER)

SGN NO 940005-02-001

DWG NO

CUSTOMER

REV. SO

DRAWN BY	DATE	TOLERANCES ARE: DECIMALES ANGLES	THIRD ANGLE PROJECTION
CHECKED BY	DATE		
CHECKED BY	DATE	.x \pm 0.50 x." \pm 2.0°	SIZE: A4 UNITS: mm
APPROVED BY	DATE	.xx \pm 0.20 .x' \pm 1.0°	SCALE: 1:1 SHEET: 1 OF 1

THE INFORMATION CONTAINED IN THIS DRAWING IS THE SOLE PROPERTY OF SIGNAL COMPANY. ANY REPRODUCTION IN PART OR WHOLE WITHOUT THE WRITTEN PERMISSION OF SIGNAL COMPANY IS PROHIBITED.