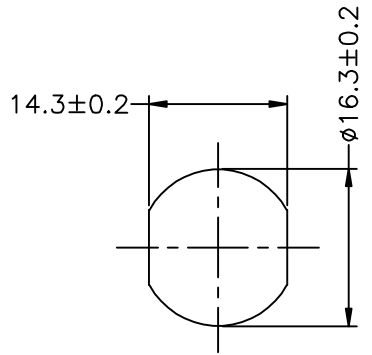
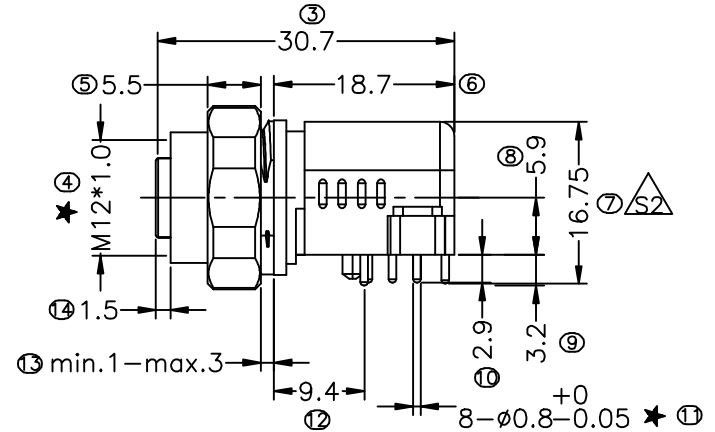
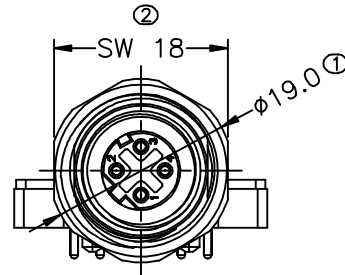


REV	DESCRIPTION	DATE	APPROVED
S0	CREATED DRAWING	2020/03/26	LXQ
S1	UPDATE DRAWING	2020/04/10	LXQ
S2	UPDATE DRAWING	2020/05/29	CRB

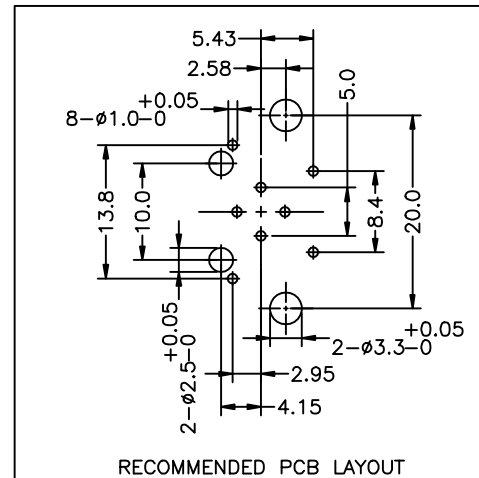
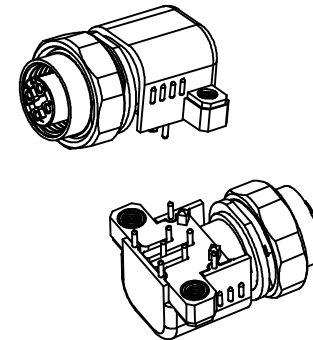
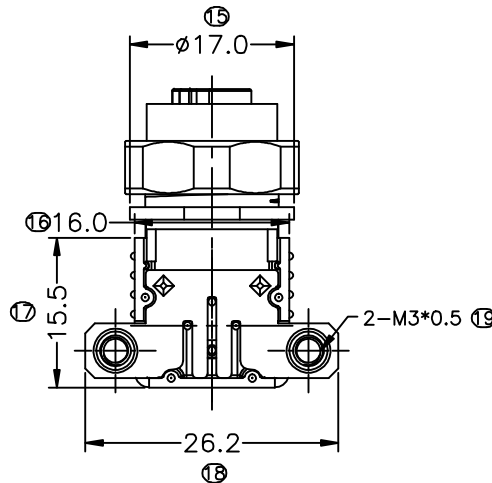


RECOMMENDED PANEL CUT-OUT



Detailed Product Description  
 Connector electrical characteristics:  
 Rating voltage: 250V a.c./d.c.  
 Insulation resistance: >100MΩ  
 Rating current: 4A  
 Contact resistance of connector ≤5mΩ  
 Mechanical characteristics:  
 Mating/cycle: >100cycle  
 Termination: DIP  
 CODING: D  
 PINS: 4  
 Configuration: M12, female/stamped contacts  
 Operating temperature: -25°C ~ +85°C

\*ALL MATERIALS ARE RoHS COMPLIANT.



RECOMMENDED PCB LAYOUT

⑤	OR00012	O-RING FKM GREEN $\phi 7.0 \times 1.5 \text{MM}$	1	PCS
④	YDWK0424	M12 NICKY PLATED ZINC ALLOY DUST CAP	1	PCS
③	N/A	M12 METAL NUT $\phi 19.0 \times 5.5 \text{MM} (\text{SW}=18)$	1	PCS
②	N/A	M12 FEMALE NICKY PLATED BRASS SHELL(M12*1.0)	1	PCS
①	N/A	M12 D CODING 4PIN FEMALE PCB CONNECTOR	1	SET
ITEM	PART NO.	SPECIFICATION	Q'TY	UNIT



Shenzhen Signal Electronics Co., LTD

DRAWN BY	DATE
CHECKED BY	DATE
APPROVED BY	DATE

THE INFORMATION CONTAINED IN THIS DRAWING IS THE SOLE PROPERTY OF SIGNAL COMPANY. ANY REPRODUCTION IN PART OR WHOLE WITHOUT THE WRITTEN PERMISSION OF SIGNAL COMPANY IS PROHIBITED.

TITLE		M12 D CODING 4PIN FEMALE PCB CONNECTOR	
SGN NO	120404-04-065	REV.	
DWG NO			
CUSTOMER			S2
TOLERANCES ARE:	DECIMALES	ANGLES	THIRD ANGLE PROJECTION
.x $\pm 0.5$	.x' $\pm 2.0'$	.x' $\pm 1.0'$	SIZE: A4
.xx $\pm 0.20$			UNITS: mm
			SCALE: SHEET: 1 OF 1