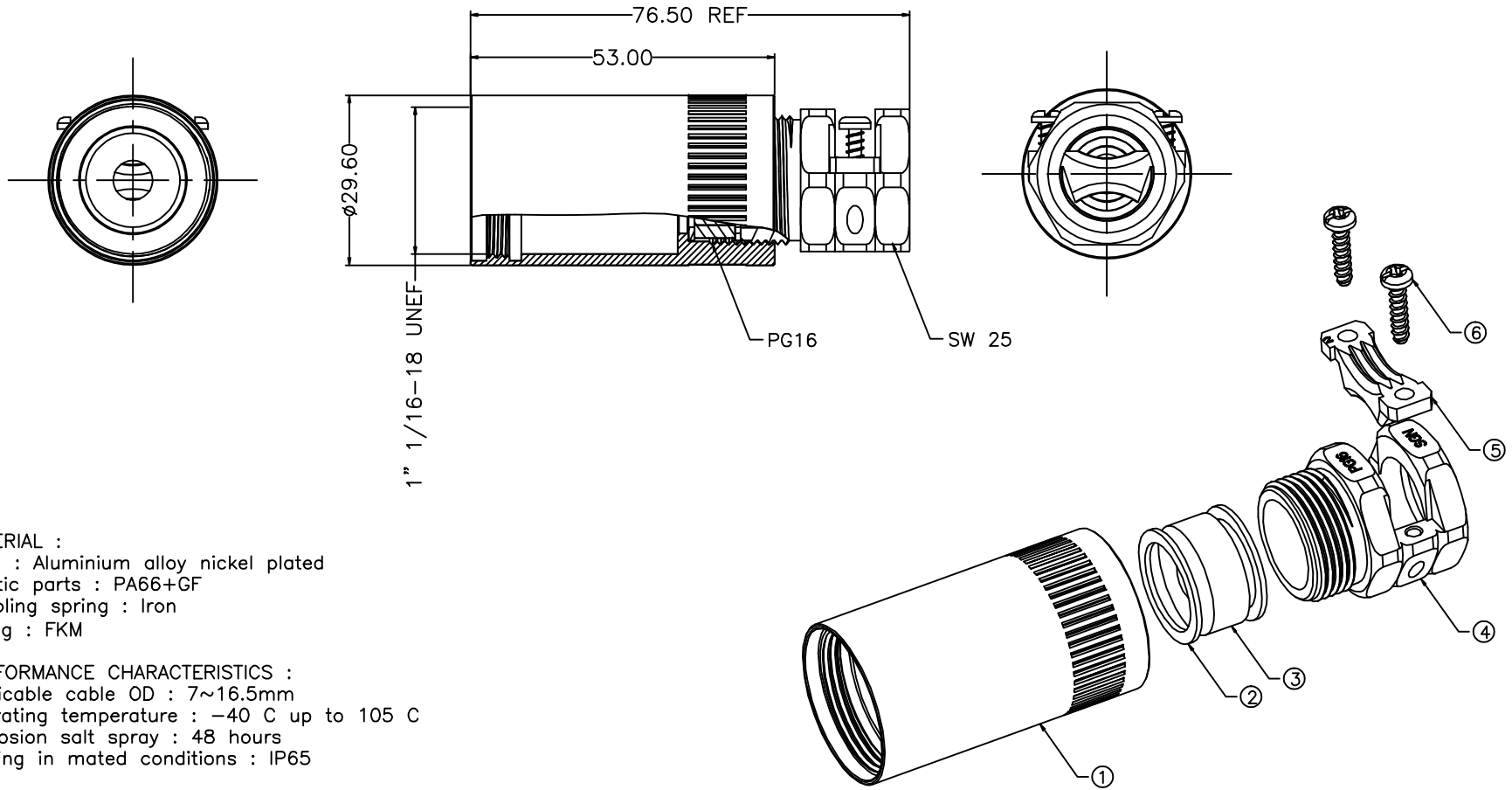


REV	DESCRIPTION	DATE	APPROVED
S0	CREATED DRAWING	2020/06/22	ZK




MATERIAL :
 Shell : Aluminium alloy nickel plated
 Plastic parts : PA66+GF
 Coupling spring : Iron
 O'ring : FKM

PERFORMANCE CHARACTERISTICS :
 Applicable cable OD : 7~16.5mm
 Operating temperature : -40 C up to 105 C
 Corrosion salt spray : 48 hours
 Sealing in mated conditions : IP65

ROHS compliant

⑥	N/A	SELF TAPPING SCREW	2	PCS
⑤	N/A	PLASTIC CLAMP	1	PCS
④	N/A	PLASTIC NUT WATERPROOF THROAT	1	PCS
③	N/A	O-Ring FKM	1	PCS
②	N/A	IRON RING	2	PCS
①	N/A	ALUMINUM ALLOY SHELL	1	PCS
ITEM	PART NO.	SPECIFICATION	Q'TY	UNIT

 Shenzhen Signal Electronics Co., LTD		TITLE CABLE CLAMP WITH PLASTIC STRAIN RELIEF NUT	
		SGN NO 940028-00-374	REV. S0
DRAWN BY	DATE	DWG NO	
CHECKED BY	DATE	CUSTOMER 0194200023	
APPROVED BY	DATE	TOLERANCES ARE:	THIRD ANGLE PROJECTION
<small>THE INFORMATION CONTAINED IN THIS DRAWING IS THE SOLE PROPERTY OF SIGNAL COMPANY. ANY REPRODUCTION IN PART OR WHOLE WITHOUT THE WRITTEN PERMISSION OF SIGNAL COMPANY IS PROHIBITED.</small>		DECIMALES .x ±0.5 .xx ±0.20	ANGLES x.' ±2.0' .x' ±1.0'
		SIZE: A4	UNITS: mm
		SCALE:	SHEET: 1 OF 1