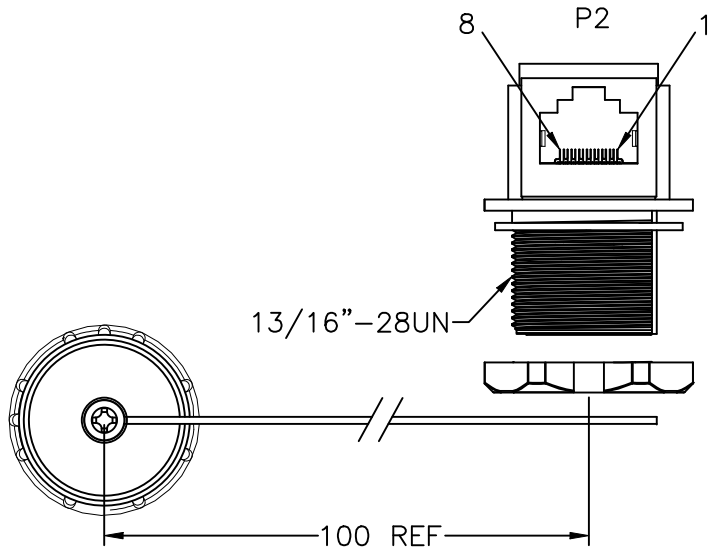
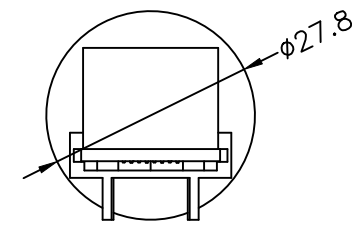
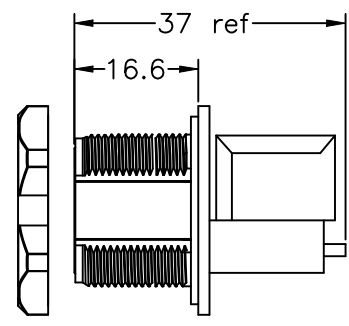
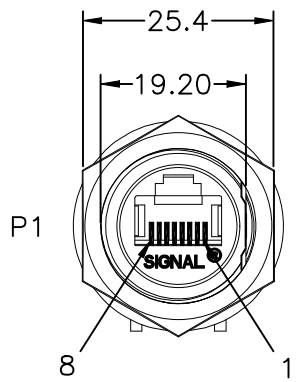
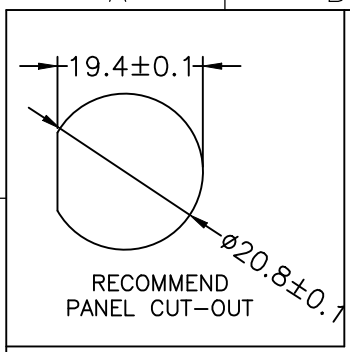


REV	DESCRIPTION	DATE	APPROVED
S0	CREATED DRAWING	2023/07/05	ZK



Detailed Product Description:
 Waterproof connector rating is IP67
 They can not be used permanently under water
 Per ISO-20653,IEC60529

Electrical character
 Rating voltage: 125V AC/DC
 Insulation resistance: >100MΩ
 Rating current: 1.5A
 Contact resistance of connector <40mΩ
 Mechanical characteristics: mating cycle >100cycles
 Operating temperature: -40°C ~ +105°C

ALL MATERIALS ARE RoHS COMPLIANT

P1	P2
8P8C/F	8P8C/F
1	1
2	2
3	3
4	4
5	5
6	6
7	7
8	8

ITEM	PART NO.	SPECIFICATION	Q'TY	UNIT
⑪	GL00026	UV GLUE	0.5	g
⑩	N/A	RJ45 8P8C 180°FEMALE, 18.25*15.6*13.2mm	1	PCS
⑨	SW00086	WATERPROOF COVER SCREW M3*6.8mm	1	PCS
⑧	OR00138-1	BLACK CHAIN TPU ID*OD*T*L=15*18*1.5*70mm	1	PCS
⑦	OR00108-1	WATERPROOF COVER GASKET EPDM 70° BLACK 12*20.05*3.8mm	1	PCS
⑥	CN00584	BLACK WATERPROOF COVER PA66+GF	1	PCS
⑤	OR00107-1	GASKET EPDM 70°BLACK 20.20*25.00*0.8	1	PCS
④	CN01374	RJ45 FEMALE CORE (INTEGRAL MOLDING)	1	PCS
③	NU00061	BLACK NUT 13/16"-28UN PA66	1	PCS
②	WK00792-2	RJ45 FEMALE PANEL CONNECTOR,FRONT FASTENED (PA66 BLACK)	1	PCS
①	PC00150	RJ45 8P8C FEMALE PCBA	1	PCS

SIGNAL[®]
 Shenzhen Signal Electronics co.,Ltd

DRAWN BY	DATE
CHECKED BY	DATE
CHECKED BY	DATE
APPROVED BY	DATE

THE INFORMATION CONTAINED IN THIS DRAWING IS THE SOLE PROPERTY OF SIGNAL COMPANY. ANY REPRODUCTION IN PART OR WHOLE WITHOUT THE WRITTEN PERMISSION OF SIGNAL COMPANY IS PROHIBITED.

TITLE RJ45 8P8C/F TO RJ45 8P8C/F ANGLE ADAPTER	
SGN NO 940008-04-008	REV.
DWG NO SGNYD2306113-4	S0
CUSTOMER	
TOLERANCES ARE: DECIMALES ANGLES	THIRD ANGLE PROJECTION
.x ±0.3 .xx ±0.2	x.' ±2.0' .x' ±1.0'
SIZE: A4	UNITS: mm
SCALE: 1:1	SHEET: