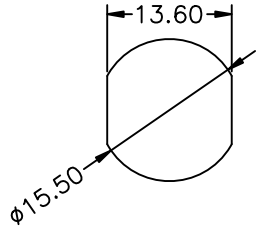
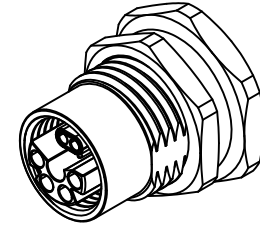
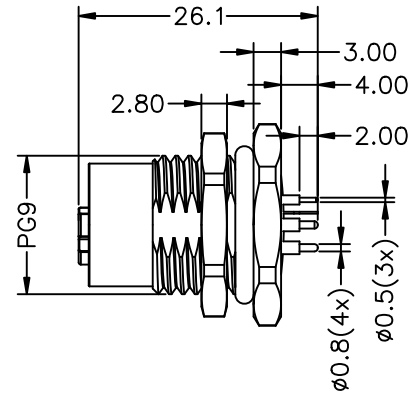
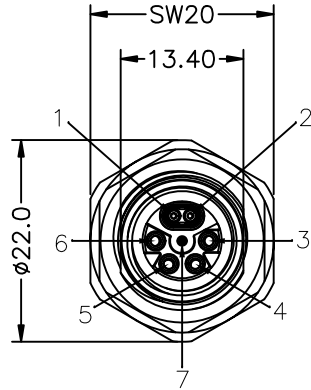


REV	DESCRIPTION	DATE	APPROVED
S0	CREATED DRAWING	2024/11/30	ZHY

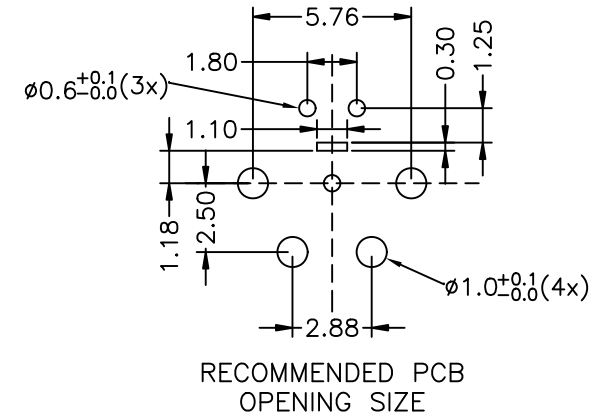


RECOMMENDED PANEL CUTOUT SIZE



Electrical character

Rated voltage	50V/AC,63V/DC	
Rated current	2A	8A
Mechanical characteristics (mating cycle)	>100	
Degree of protection (ISO-20653,IEC60529)	IP67	
Operating temperature (depending on cable quality)	-25°C ~ +80°C	
Destructive withstand force between connector and overmold exceeds	**kgf	
Tightening torque (range)	0.4~1.8Nm	
Pollution degree	3	
ALL MATERIALS ARE RoHS COMPLIANT		



ITEM	PART NO.	SPECIFICATION	Q'TY	UNIT
⑤	GL00002	BLACK EPOXY RESIN -50°C~+130°C	2	g
④	OR00008	GREEN FKN WATERPROOF RUBBER RING. ϕ 13.0* ϕ 2.0mm	1	PCS
③	NU00006-2	PG9 BRASS NICKEL-PLATED NUTS L*W=2.8*18mm	1	PCS
②	N/A	M12-SPE BRASS FRONT LOCK PANEL FEMALE HOUSING PG9	1	PCS
①	N/A	SPE-I M12 CODING 7PIN FEMALE CONNECTOR	1	SET

SIGNAL[®]

Shenzhen Signal Electronics co.,Ltd

DRAWN BY _____ DATE _____

CHECKED BY _____ DATE _____

CHECKED BY _____ DATE _____

APPROVED BY _____ DATE _____

THE INFORMATION CONTAINED IN THIS DRAWING IS THE SOLE PROPERTY OF SIGNAL COMPANY. ANY REPRODUCTION IN PART OR WHOLE WITHOUT THE WRITTEN PERMISSION OF SIGNAL COMPANY IS PROHIBITED.

TITLE
SPE-I M12 HYBRID 7PIN FRONT LOCKING PANEL FEMALE CONNECTOR

SGN NO 121507-04-001 REV. _____

DWG NO _____

CUSTOMER _____ SO

TOLERANCES ARE:		THIRD ANGLE PROJECTION	
DECIMALES	ANGLES		
.x \pm 0.50	x.' \pm 2.0°	SIZE: A4	UNITS: mm
.xx \pm 0.20	.x' \pm 1.0°	SCALE: 1:1	SHEET: 1 OF 1