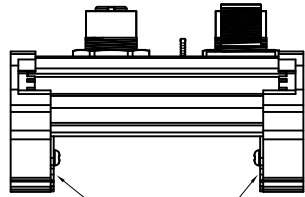
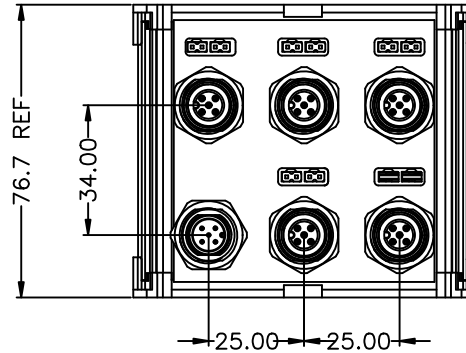


SGNYD2101107

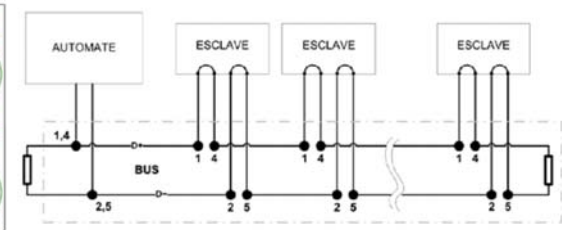
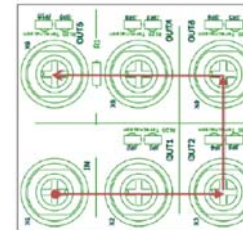
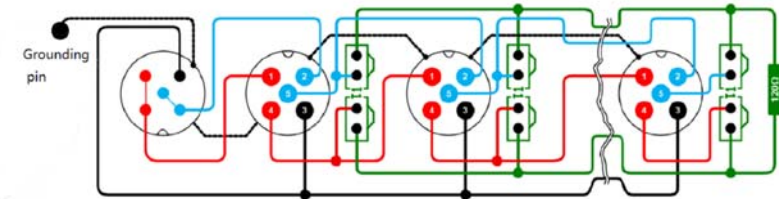
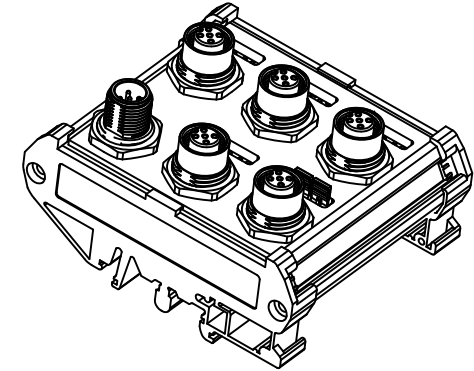
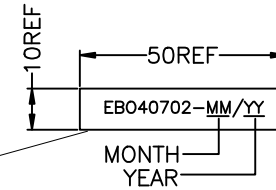
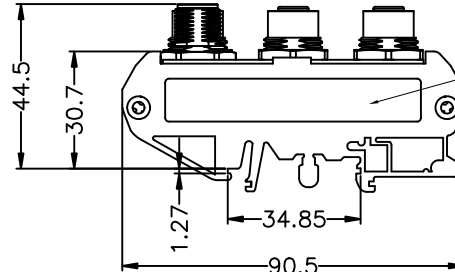
Electrical character(connector)
 Rating voltage: 60V AC/DC
 Insulation resistance: >100MΩ
 Rating current: 4A
 Contact resistance ≤10mΩ

Other Specification
 Contact Pin: Brass with gold plating.
 Shell: Brass with nickel plating
 Insulation plastic: PA66
 Operating temperature: -25°C ~ +85°C

*.ALL MATERIALS ARE RoHS COMPLIANT.



Grounding strip



⑬	TE00730	TERMINAL 2.54mm	10	PCS
⑫	WJ00075	2.54mm SHORT CIRCUIT CAP (YDWJ0060)	2	PCS
⑪	RS00021	COLOR RING RESISTANCE (YDRS0004)	1	PCS
⑩	LB00125	LABEL 50*10mm	1	PCS
⑨	SW00054	M2 SELF TAPPING SCREW	2	PCS
⑧	WJ00074	EARTHING SHRAPNEL BRASS PLATED NI	2	PCS
⑦	120105-03-097	M12 A CODING 5P MALE FRONT FASTENED CONNECTOR	1	SET
⑥	120105-04-065	M12 A CODING 5P FEMALE FRONT FASTENED CONNECTOR	5	SET
⑤	YDCN0214-1	TRANSPARENT PMMA BOARD	1	PCS
④	YDPC0038-1	GREEN PCB BOARD (WITH PIN&RESISTANCE)	1	PCS
③	CN00812	No. 2 BRACKET GREEN PA66	1	PCS
②	CN00811	No. 1 BRACKET GREEN PA66	1	PCS
①	YDCN0215-1	MAIN BODY BRACKET GREEN PA66, WITH M3 SELF TAPPING SCREW 4PCS	1	SET

ITEM	PART NO.	SPECIFICATION	Q'TY	UNIT
------	----------	---------------	------	------

REV	DESCRIPTION	DATE	APPROVED
S0	CREATED DRAWING	2021/2/6	ZK
S1	UPDATE DRAWING	2021/5/10	ZK
S2	UPDATE DRAWING	2021/7/10	ZK



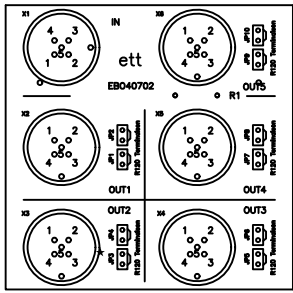
Shen Zhen Signal Electronics co.,Ltd

DRAWN BY	DATE
CHECKED BY	DATE
CHECKED BY	DATE
APPROVED BY	DATE

TITLE 1-IN 5-OUT DISTRIBUTION BOX DESIGN PROPOSAL

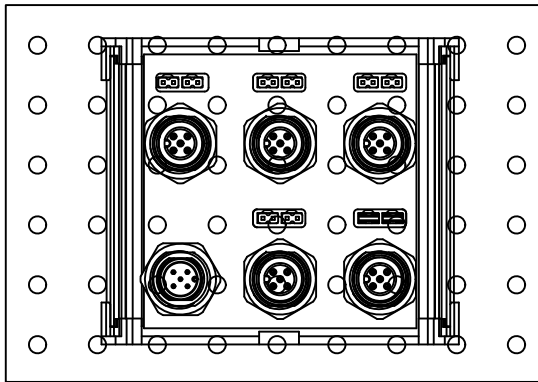
SGN NO	920105-05-002	REV.	
DWG NO			
CUSTOMER			S2

TOLERANCES ARE:	THIRD ANGLE PROJECTION	
DECIMALES .x ±0.5	ANGLES x.' ±2.0'	
.xx ±0.20	.x' ±1.0'	
SIZE: A4	UNITS: mm	
SCALE:	SHEET: 1 OF 2	

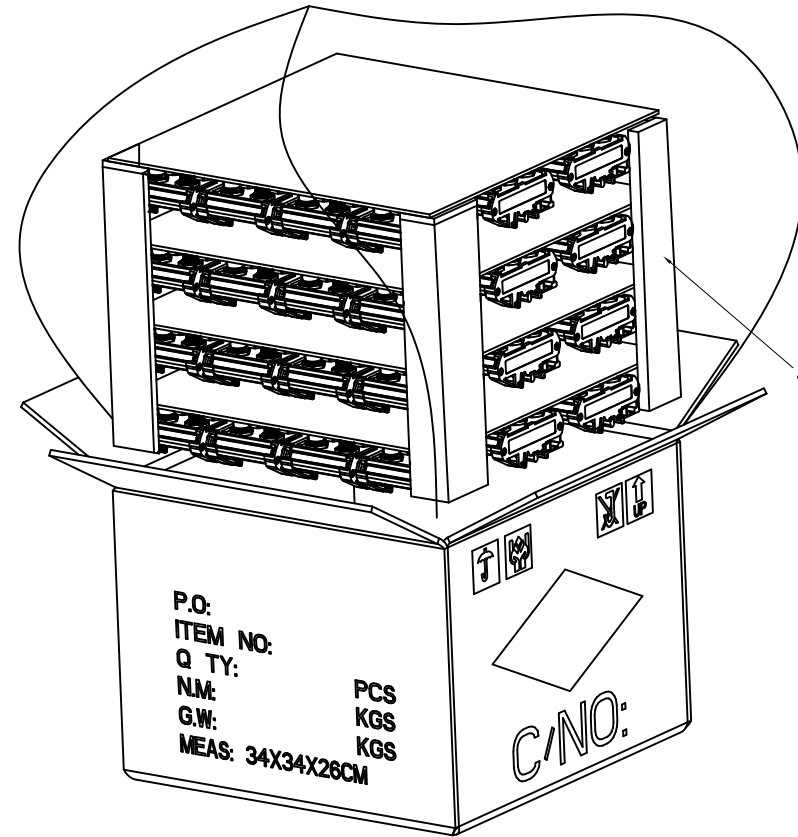


PCB

package drawing



Each product is packed in a bubble bag



Angle guard

P.O:
ITEM NO:
Q TY:
N.M:
G.W:
MEAS: 34X34X26CM

PCS
KGS
KGS

C/NO:

12pcs on one floor, 4 floors in total,
one partition board on each floor,
corner protection around the box

REV	DESCRIPTION	DATE	APPROVED
S0	CREATED DRAWING	2021/04/24	ZK
S1	UPDATE DRAWING	2021/05/10	ZK
S2	UPDATE DRAWING	2021/07/10	ZK

18	ZX00055	ANGLE GUARD L1000*W70mm	1/48	PCS
17	BA00035	BUBBLE BAG L*W=120*140mm	1	PCS
16	BA00008	PE BAG 420mm*300mm*0.08mm	1/48	PCS
15	ZX00019	PARTITION L330*W330*T3mm	1/12	PCS
14	ZX00018	CARTON 340*340*260mm	1/48	PCS
ITEM	PART NO.	SPECIFICATION	Q'TY	UNIT

DRAWN BY		DATE	TITLE	
CHECKED BY		DATE	1-IN 5-OUT DISTRIBUTION BOX DESIGN PROPOSAL	
CHECKED BY		DATE	SGN NO	920105-05-002
APPROVED BY		DATE	DWG NO	
			CUSTOMER	S2
			TOLERANCES ARE:	THIRD ANGLE PROJECTION
			DECIMALES	ANGLES
			.x ±0.5	x.' ±2.0'
			.xx ±0.20	.x' ±1.0'
			SCALE:	UNITS: mm
				SHEET: 2 OF 2