
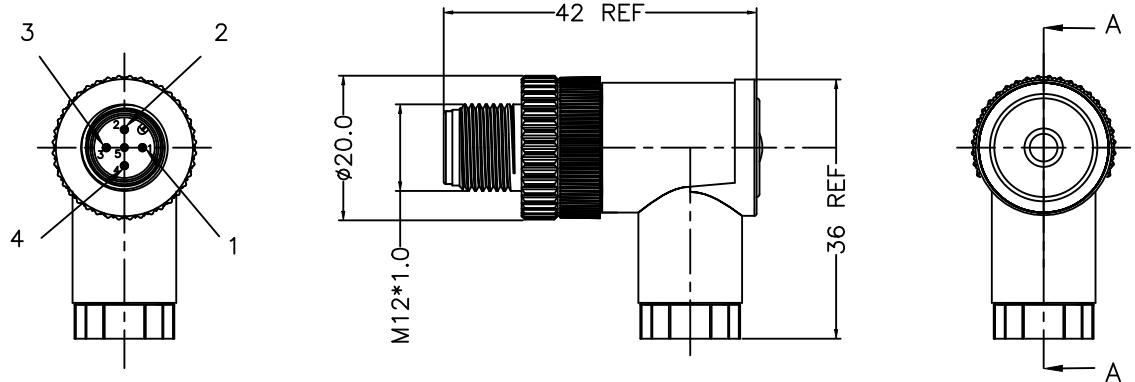


REV	DESCRIPTION	DATE	APPROVED
S0	CREATED DRAWING	2020/04/22	ZK
S1	ADD CONFORMITY CRITERIA	2024/04/19	CBT





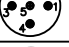

Detailed Product Description:
 Waterproof connector rating is IP67
 They can not be used permanently under water
 Per ISO-20653,IEC60529

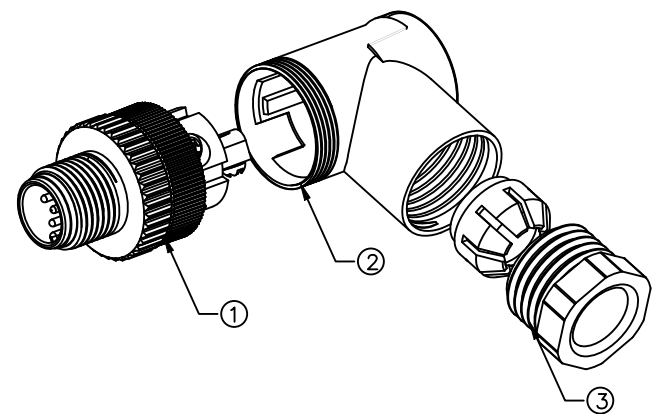
Mechanical characteristics: mating / cycle >100cycle
 Operating temperature: -25°C ~ +85°C
 Meets IEC 61076-2-101 




ALL MATERIALS ARE RoHS COMPLIANT*

Electrical character

Part Number	Contacts	Rated voltage		Rated current	Contact Resistance	Cable OD (mm)
		A/C	D/C			
120103-01-003		250V	250V	4A	10mΩ	4~6
120104-01-003		250V	250V	4A	10mΩ	4~6
120404-01-003		250V	250V	4A	10mΩ	4~6
120205-01-006		60V	60V	4A	10mΩ	4~6
120105-01-003		60V	60V	4A	10mΩ	4~6
120108-01-003		30V	30V	2A	10mΩ	4~6



③	N/A	M12 TAIL WATERPROOF PARTS	1	SET
②	N/A	M12 ASSEMBLY SHELL	1	SET
①	N/A	M12 MALE CONNECTOR	1	SET
ITEM	PART NO.	SPECIFICATION	Q'TY	UNIT



SIGNAL[®]

Shenzhen Signal Electronics Co., LTD

TITLE: M12 MALE PLASTIC ASSEMBLY CONNECTOR (PG7)

SGN NO: 120103~08-01-003

REV: S1

DRAWN BY	DATE	TOLERANCES ARE:	THIRD ANGLE PROJECTION		
CHECKED BY	DATE			DECIMALES	ANGLES
CHECKED BY	DATE			.x ±0.5	x.' ±2.0'
APPROVED BY	DATE			.xx ±0.20	.x' ±1.0'
THE INFORMATION CONTAINED IN THIS DRAWING IS THE SOLE PROPERTY OF SIGNAL COMPANY. ANY REPRODUCTION IN PART OR WHOLE WITHOUT THE WRITTEN PERMISSION OF SIGNAL COMPANY IS PROHIBITED.		SIZE: A4	UNITS: mm		
		SCALE:	SHEET: 1 OF 1		