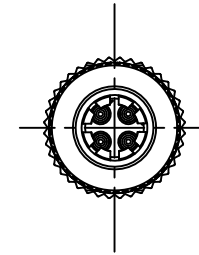
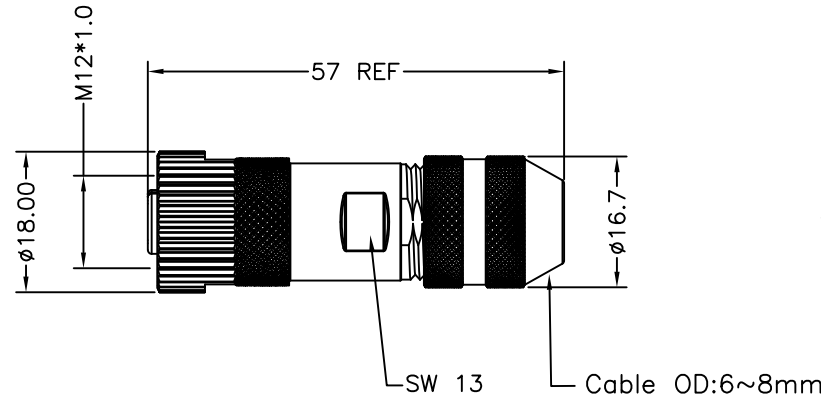
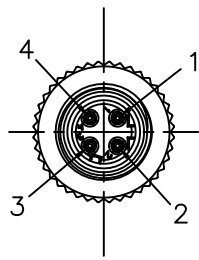
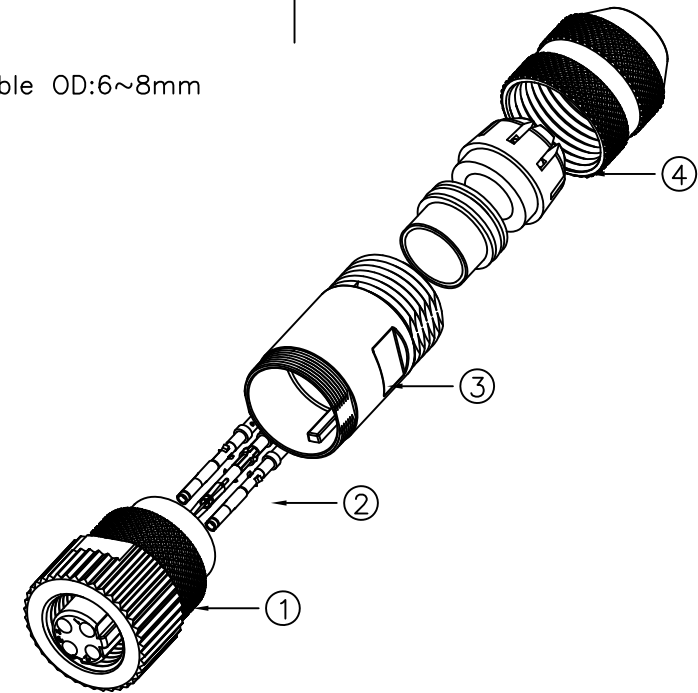


REV	DESCRIPTION	DATE	APPROVED
S0	CREATED DRAWING	2020/04/22	ZK



Termination: Crimp


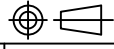


Detailed Product Description:  
 Waterproof connector rating is IP67  
 They can not be used permanently under water  
 Per ISO-20653, IEC60529

Connector Electrical Characteristics:  
 Rating voltage: 250V AC/DC  
 Insulation resistance: >100M $\Omega$   
 Rating current: 4A  
 Contact resistance of connector:  $\leq 10\text{m}\Omega$   
 Mechanical characteristics: mating / cycle >100cycle  
 Operating temperature: -25°C ~ +85°C

\*ALL MATERIALS ARE RoHS COMPLIANT\*

ITEM	PART NO.	SPECIFICATION	Q'TY	UNIT
④	N/A	M12 TAIL WATERPROOF PARTS	1	SET
③	N/A	M12 ASSEMBLY SHELL	1	SET
②	N/A	M12 CRIMP TYPE TERMINAL	1	SET
①	N/A	M12 D 4P FEMALE CONNECTOR	1	SET

 Shen Zhen Signal Electronics co.,Ltd		TITLE M12 D 4P FEMALE METAL ASSEMBLY CONNECTOR	
		SGN NO 120404-02-010	REV. SO
DRAWN BY	DATE	DWG NO	CUSTOMER
CHECKED BY	DATE	TOLERANCES ARE:	
APPROVED BY	DATE	DECIMALES .x $\pm 0.5$ .xx $\pm 0.20$	ANGLES x.' $\pm 2.0'$ .x' $\pm 1.0'$
<small>THE INFORMATION CONTAINED IN THIS DRAWING IS THE SOLE PROPERTY OF SIGNAL COMPANY. ANY REPRODUCTION IN PART OR WHOLE WITHOUT THE WRITTEN PERMISSION OF SIGNAL COMPANY IS PROHIBITED.</small>		THIRD ANGLE PROJECTION	
		SIZE: A4	UNITS: mm
		SCALE:	SHEET: 1 OF 1