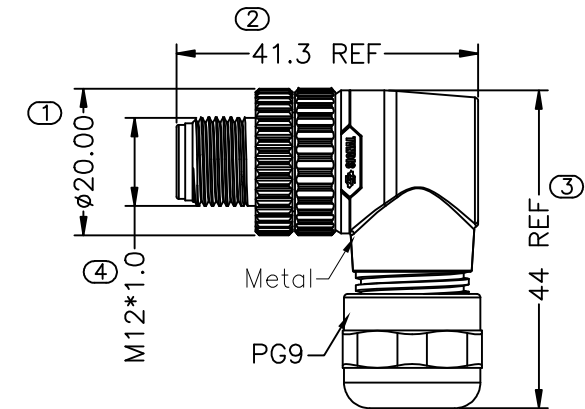
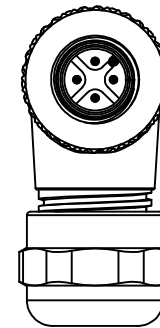


Detailed Product Description:
 Waterproof connector rating is IP67
 They can not be used permanently under water
 Per ISO-20653, IEC60529



Other Specification
 Contact PIN: Phosphor bronze with Gold plating.
 Coupling nut/screw: Nickel plating on copper alloy
 Insulation plastic: Nylon PA66+GF
 Degree of protection: IP67
 Operating temperature: -25°C ~ +85°C

*ALL MATERIALS ARE RoHS COMPLIANT.



Termination:Screw

Electrical character

Part Number	Contacts	Rated voltage		Rated current	Contact Resistance	Cable OD (mm)
		A/C	D/C			
120103-01-028 ASM12AM03013		250V	250V	4A	10mΩ	6~8
120104-01-028 ASM12AM04014		250V	250V	4A		
120404-01-028 ASM12DM04015		250V	250V	4A		
120105-01-028 ASM12AM05014		60V	60V	4A		
120205-01-028 ASM12BM05015		60V	60V	4A		
120108-01-029 ASM12AM08014		30V	30V	2A		

REV	DESCRIPTION	DATE	APPROVED
S0	CREATED DRAWING	2020/03/19	CYF
S1	Add 3pin connector	2021/08/12	CYF

SIGNAL [®] ShenZhen Signal Electronics co., Ltd		TITLE M12 ASSEMBLY MALE ANGEL CONNECTOR(METAL)	
		SGN NO SEE TABLE	REV. S1
DRAWN BY	DATE	DWG NO SEE TABLE	TOLERANCES ARE: DECIMALES .x ±0.5 x.' ±2.0' .xx ±0.20 .x' ±1.0'
CHECKED BY	DATE	CUSTOMER	
CHECKED BY	DATE	THIRD ANGLE PROJECTION	
APPROVED BY	DATE	SCALE:	UNITS: mm SHEET: 1 OF 1

THE INFORMATION CONTAINED IN THIS DRAWING IS THE SOLE PROPERTY OF SIGNAL COMPANY. ANY REPRODUCTION IN PART OR WHOLE WITHOUT THE WRITTEN PERMISSION OF SIGNAL COMPANY IS PROHIBITED.