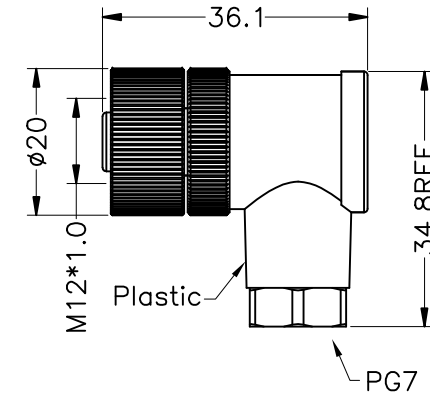
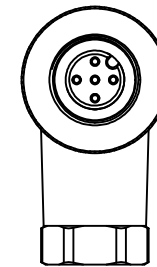
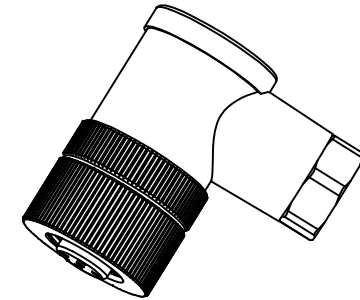


REV	DESCRIPTION	DATE	APPROVED
S0	CREATED DRAWING	2015/08/27	ZERA

Detailed Product Description:  
 Waterproof connector rating is IP67/IP68  
 Protected from dust and water during immersion,  
 resistant to many oils and chemical etc

Other Specification  
 Contact PIN: Phosphor bronze with Gold plating.  
 Coupling nut/screw: Brass with nickel plating  
 Insulation plastic: PA66+GF  
 Degree of protection: IP67/IP68  
 Operating temperature: -25° ~ +85°

\*ALL MATERIALS ARE RoHS COMPLIANT.



TERMINATION:SCREW

Electrical character

Part Number	Contacts	Rated voltage		Rated current	Contact Resistance	Cable OD (mm)
		A/C	D/C			
AS12AF03003		250V	250V	4A	10mΩ	4~6
AS12AF04003 120104-02-003 ✓		250V	250V	4A	10mΩ	4~6
AS12AF05003		60V	60V	4A	10mΩ	4~6
AS12AF08003		30V	30V	2A	10mΩ	4~6
AS12BF05003		60V	60V	4A	10mΩ	4~6
AS12DF04003		250V	250V	4A	10mΩ	4~6

<b>SIGNAL</b> <sup>®</sup> Shenzhen Signal Electronics Co., LTD		TITLE M12 ASSEMBLY FEMALE ANGEL CONNECTOR PG7	
		SGN NO	REV.
DRAWN BY	DATE	DWG NO	AS12AF03~08003
CHECKED BY	DATE	CUSTOMER	S0
APPROVED BY	DATE	TOLERANCES ARE:	
<small>THE INFORMATION CONTAINED IN THIS DRAWING IS THE SOLE PROPERTY OF SIGNAL COMPANY. ANY REPRODUCTION IN PART OR WHOLE WITHOUT THE WRITTEN PERMISSION OF SIGNAL COMPANY IS PROHIBITED.</small>		DECIMALES	ANGLES
		.x ±0.5	x.' ±2.0°
		.xx ±0.20	.x' ±1.0°
		THIRD ANGLE PROJECTION	
		SIZE: A4	UNITS: mm
		SCALE:	SHEET: 1 OF 1