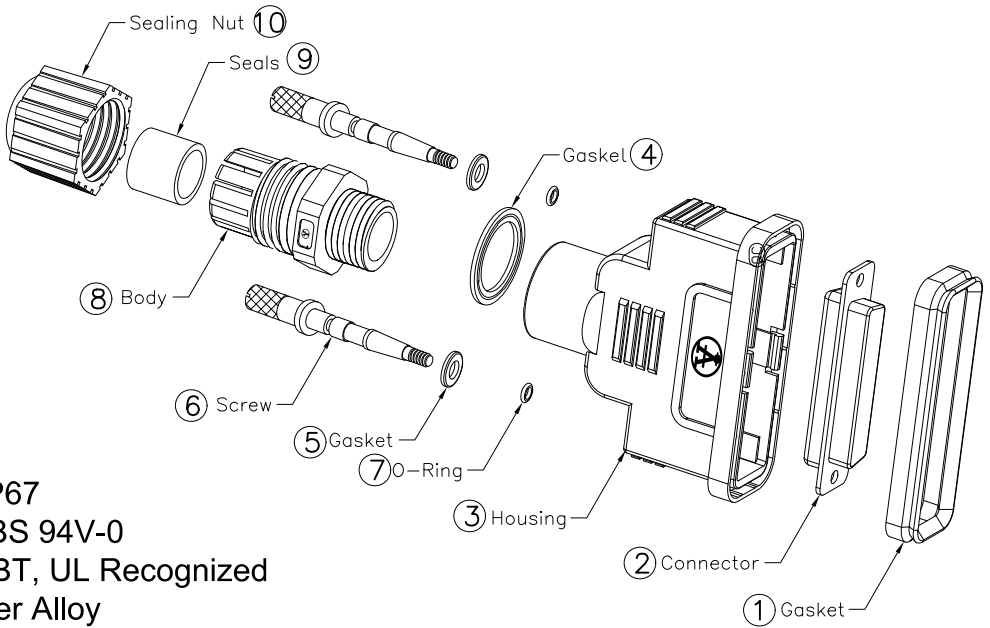
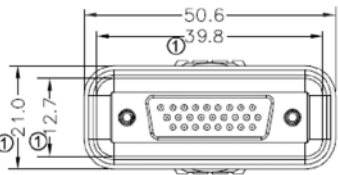
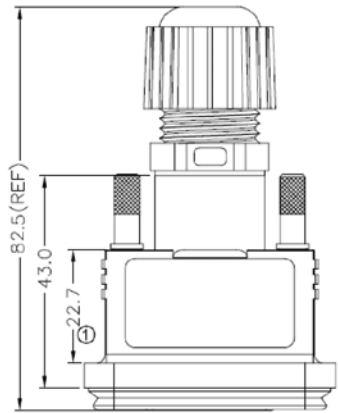
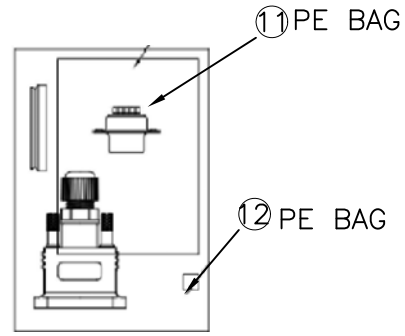


REV	DESCRIPTION	DATE	APPROVED
S0	CREATED DRAWING	2024/08/30	ZCH



Material:

- Waterproof rate: IP67
- Housing: Black, ABS 94V-0
- Contact Carrier: PBT, UL Recognized
- Contact Pin: Copper Alloy
- Contact Surface: Gold plated
- Temperature range: -20°C to 60°C
- Connector: HD-SUB 26pin Female or Male Shielded (solder pin)
- Seals for cable: OD: $\phi 6.0\text{mm} \sim \phi 10.0\text{mm}$
- One set unassembled in one(1) PE bag



⑫	N/A	B CODING PE-BAG	1	PCS
⑪	N/A	A CODING PE-BAG	1	PCS
⑩	N/A	C CODING SEALING NUT:NYLON,BLACK	1	PCS
⑨	N/A	SEALS FOR CABLE OD: $\phi 6.0\text{MM} \sim \phi 10.0\text{MM}$.	1	PCS
⑧	N/A	C CODING BODY:NYLON,BLACK	1	PCS
⑦	N/A	O-RING:SILICONE,CLEAR	2	PCS
⑥	N/A	SCREW:BRASS,NICKEL PLATED	2	PCS
⑤	N/A	GASKET FOR SCREW	2	PCS
④	N/A	C CODING GASKET FOR BODY	1	PCS
③	N/A	C CODING HOUSING:ABS,BLACK	1	PCS
②	N/A	HD-SUB 26PIN FEMALE CONNECTOR	1	PCS
①	N/A	C CODING GASKET FOR HOUSING	1	PCS

ITEM	PART NO.	SPECIFICATION	Q'TY	UNIT
------	----------	---------------	------	------



Shenzhen Signal Electronics Co., LTD

DRAWN BY	DATE
CHECKED BY	DATE
APPROVED BY	DATE

TITLE HDB 26/F Plastic Assembly type (OD:6.0-10.0)	
SGN NO 910226-02-011	REV.
DWG NO	S0
CUSTOMER	
TOLERANCES ARE:	THIRD ANGLE PROJECTION
DECIMALES .x ± 0.5	ANGLES x.' $\pm 2.0'$
.xx ± 0.20	.x' $\pm 1.0'$
SCALE:	SIZE: A4 UNITS: mm
	SHEET: 1 OF 1