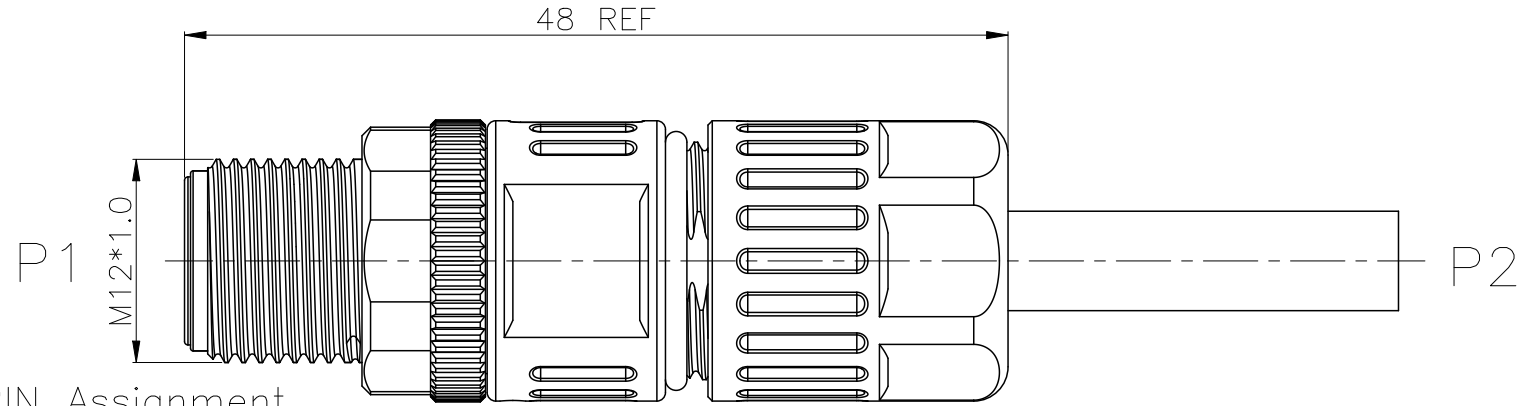
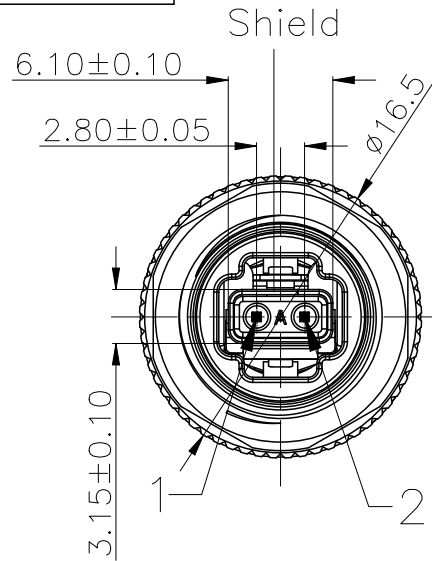


PROJECT NO:
SGNYD2307070-1

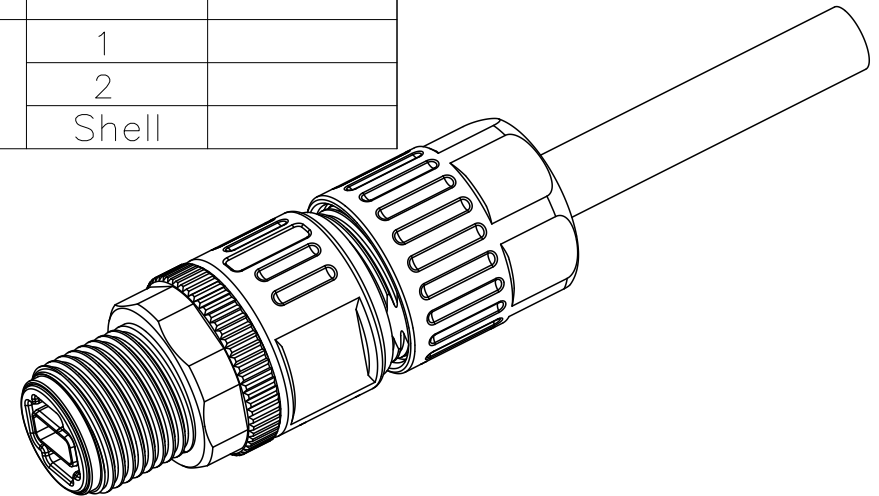
REV	DESCRIPTION	DATE	APPROVED
S0	CREATED DRAWING	2023/08/04	ZCH
S1	MODIFIED OPERATING TEMPERATURE	2023/08/22	ZCH



PIN Assignment

P1	Color	AWG	Wire Cutting (mm)	P2	Remarks
1	Blue	Cable		1	
2	White			2	
Shell	Braid			Shell	

Detailed Product Description:
 Waterproof Connector Rating Is IP67
 Electrical Character
 Rating Voltage: 60V DC
 Insulation Resistance: >500M ohms
 Rating Current: 4A
 Contact Resistance: ≤20m ohms
 Shielding resistance: ≤100m ohms
 Other Specification
 Cable Diameter: 4~6mm
 Operating Temperature: -40°C ~ +105°C \triangle S1
 Insertion and withdrawal: 50 N maximum
 Durability: 100 Mating Cycles Min.
 All Materials Are RoHS Compliant.



SIGNAL [®] Shenzhen Signal Electronics co.,Ltd		TITLE SPE M12 2PIN PLUG CONNECTOR (CRIMP TYPE)	
		SGN NO 930002-01-001	REV. S1
DRAWING BY	DATE	DWG NO	
CHECKED BY	DATE	CUSTOMER	
CHECKED BY	DATE	TOLERANCES ARE:	
APPROVED BY	DATE	DECIMALES	ANGLES
<small>THE INFORMATION CONTAINED IN THIS DRAWING IS THE SOLE PROPERTY OF SIGNAL COMPANY. ANY REPRODUCTION IN PART OR WHOLE WITHOUT THE WRITTEN PERMISSION OF SIGNAL COMPANY IS PROHIBITED.</small>		.x ±0.5	x.' ±2.0'
		.xx ±0.20	.x' ±1.0'
		THIRD ANGLE PROJECTION	
		SIZE: A4	UNITS: mm
		SCALE: 1:1	SHEET: 1 OF 1