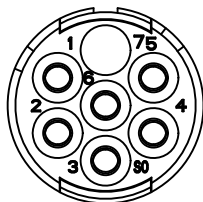


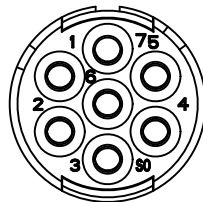
PROJECT NO:

XXX

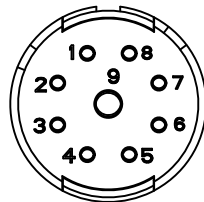
REV	DESCRIPTION	DATE	APPROVED
S0	CREATED DRAWING	2018/01/28	CRB
S1	ADD 7PIN MATERIAL NUMBER	2024/08/28	ZCH



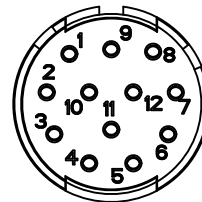
SCALE:3:1  
DETAIL A  
6PIN



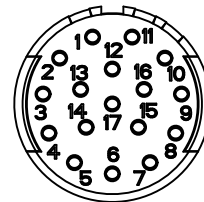
SCALE:3:1  
DETAIL A  
7PIN



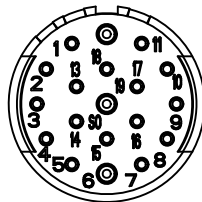
SCALE:3:1  
DETAIL A  
9(8+1)PIN



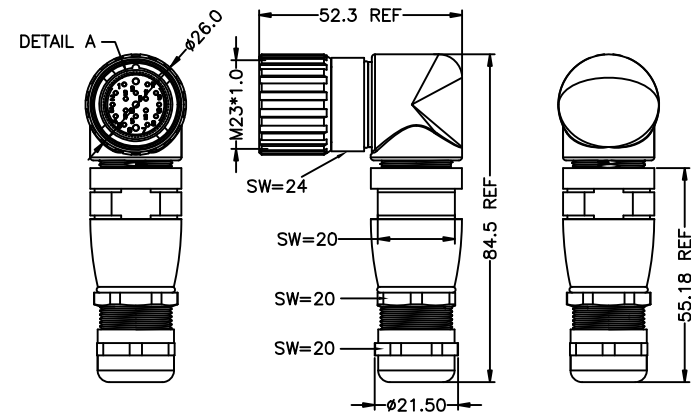
SCALE:3:1  
DETAIL A  
12PIN



SCALE:3:1  
DETAIL A  
17PIN



SCALE:3:1  
DETAIL A  
19(16+3)PIN

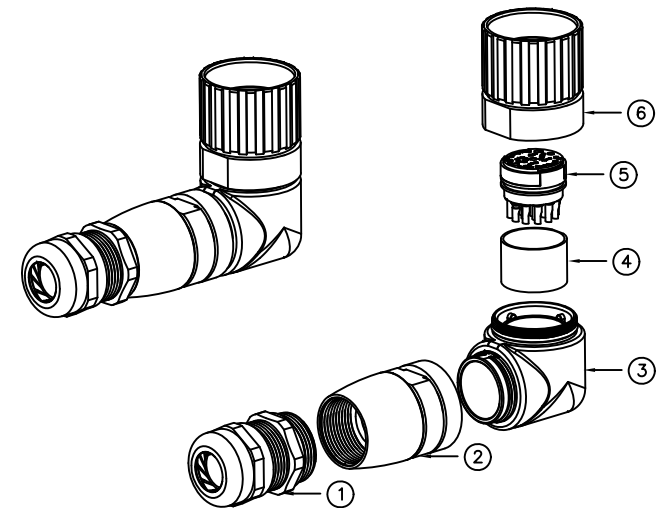


ORDER NO.	ITEM ⑤	APPLICABLE WIRE	RATING VOLTAGE	RATING CURRENT
230006-02-002	6PIN FEMALE INSERT	2.5mm <sup>2</sup> (14AWG)	250V AC/DC	20A
230007-02-002	7PIN FEMALE INSERT	2.5mm <sup>2</sup> (14AWG)	250V AC/DC	20A
230009-02-002	9PIN FEMALE INSERT	1.5+2.5mm <sup>2</sup> (16+14AWG)	250V AC/DC	8A+20A
230012-02-002	12PIN FEMALE INSERT	1.0mm <sup>2</sup> (18AWG)	150V AC/DC	8A
230017-02-002	17PIN FEMALE INSERT	1.0mm <sup>2</sup> (18AWG)	150V AC/DC	8A
230019-02-002	19PIN FEMALE INSERT	1.0+1.5mm <sup>2</sup> (18+16AWG)	150V AC/DC	8A+10A


Detailed Product Description:  
Waterproof connector rating is IP67  
They can not be used permanently under water.

Connector Electrical character  
Rating voltage: SEE TABLE  
Insulation resistance: >100MΩ  
Rating current : SEE TABLE  
Contact resistance of connector ≤5mΩ  
Mechanical characteristics:  
mating / cycle >500 cycle  
Operating temperature: -40°C ~ +115°C  
Design from DIN EN60664 AND DIN EN61984  
Cable OD: Ø3mm-Ø9.5mm

\*ALL MATERIALS ARE RoHS COMPLIANT.



⑥	CN00510	M23 LOCK NUT	1	SET
⑤	SEE TABLE	M23 FEMALE INSERT	1	SET
④	CN00569	M23 PLASTIC PART INSIDE	1	PCS
③	CN00507	M23 ANGLED PART	1	SET
②	CN00508	M23 MAIN BODY	1	SET
①	CN00492	M23 CABLE GLAND	1	SET
ITEM	PART NO.	SPECIFICATION	Q'TY	UNIT



**SIGNAL**®

Shen Zhen Signal Electronics co.,Ltd

TITLE M23 FEMALE HEAD METAL ASSEMBLY (M23\*1.0, ELBOW)

SGN NO SEE TABLE

DWG NO

CUSTOMER

TOLERANCES ARE:  
DECIMALES ANGLES  
.x ±0.5 x.' ±2.0'  
.xx ±0.20 .x' ±1.0'

THIRD ANGLE PROJECTION

SIZE: A4 UNITS: mm  
SCALE: 1:1 SHEET: 1 OF 1

REV.	DATE	APPROVED
S0	2018/01/28	CRB
S1	2024/08/28	ZCH