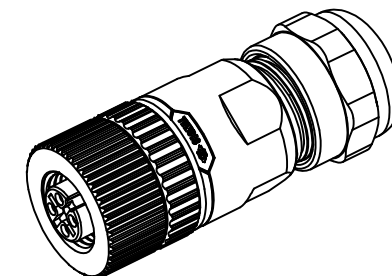
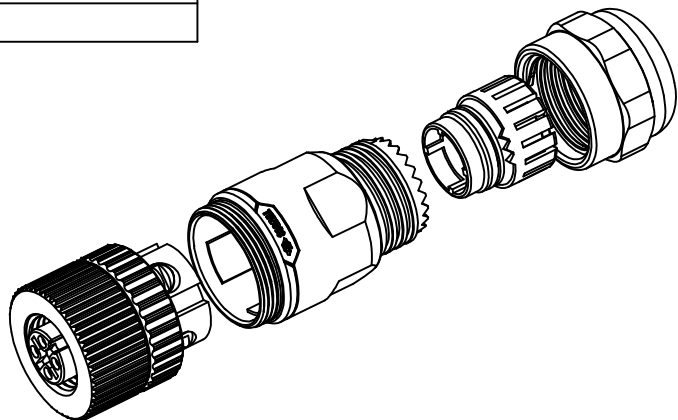


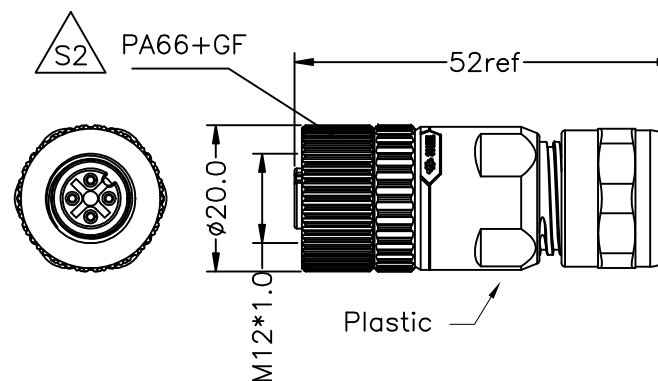
PROJECT NO:

REV	DESCRIPTION	DATE	APPROVED
S0	CREATED DRAWING	2017/05/20	SXY
S1	CHANGE SCREW MATERIAL	2017/05/26	SXY
S2	CHANGE SCREW MATERIAL	2017/06/14	HENG



Electrical character

Rated voltage	60V
Rated current	4A
Mechanical characteristics (mating cycle)	>100
Degree of protection (ISO-20653, IEC60529)	IP67/IP68
Operating temperature (depending on cable quality)	-25°C ~ +85°C
Destructive withstand force between connector and overmold exceeds	**kgf
Tightening torque (range)	0.4~1.8Nm
Pollution degree	3
ALL MATERIALS ARE RoHS COMPLIANT	



Electrical character

Part Number	Contacts	Rated voltage		Rated current	Contact Resistance	Cable OD (mm)
		A/C	D/C			
N/A		60V	60V	4A	10mΩ	3~8

SIGNAL [®]		TITLE M12 ASSEMBLY FEMALE CONNECTOR(PLASTIC)(SOLDER TYPE)	
Shenzhen Signal Electronics co.,Ltd		SGN NO 120105-02-026	REV.
DRAWN BY	DATE	DWG NO	S2
CHECKED BY	DATE	CUSTOMER	
CHECKED BY	DATE	TOLERANCES ARE:	
APPROVED BY	DATE	DECIMALES	THIRD ANGLE PROJECTION
<small>THE INFORMATION CONTAINED IN THIS DRAWING IS THE SOLE PROPERTY OF SIGNAL COMPANY. ANY REPRODUCTION IN PART OR WHOLE WITHOUT THE WRITTEN PERMISSION OF SIGNAL COMPANY IS PROHIBITED.</small>		.x ±0.5	ANGLES
		.xx ±0.20	x.' ±2.0'
		.x' ±1.0'	SCALE:
		SIZE: A4	UNITS: mm
		SCALE:	SHEET: 1 OF 1