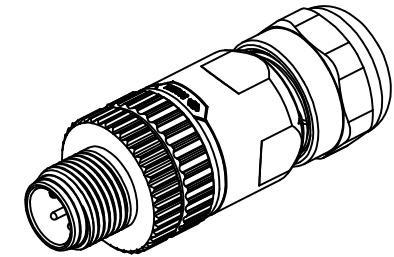
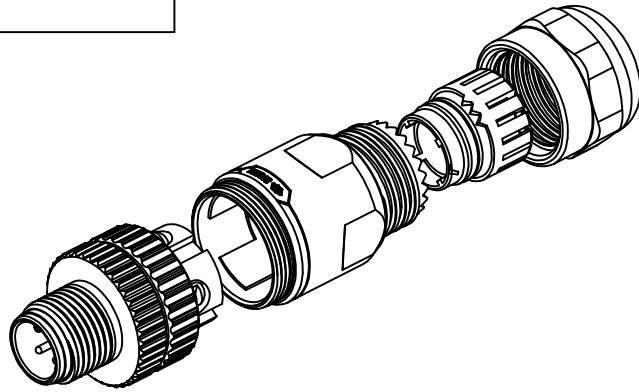


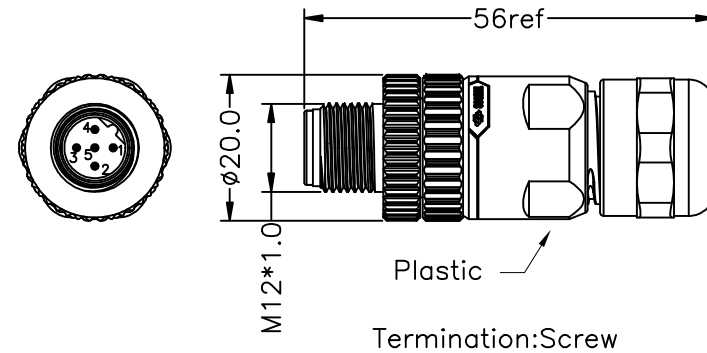
PROJECT NO:

REV	DESCRIPTION	DATE	APPROVED
S0	CREATED DRAWING	2015/08/27	ZERA



Electrical character

Rated voltage	60V
Rated current	4A
Mechanical characteristics (mating cycle)	>100
Degree of protection (ISO-20653,IEC60529)	IP67/IP68
Operating temperature (depending on cable quality)	-25°C ~ +85°C
Destructive withstand force between connector and overmold exceeds	**kgf
Tightening torque (range)	0.4~1.8Nm
Pollution degree	3
ALL MATERIALS ARE RoHS COMPLIANT	



Electrical character

Part Number	Contacts	Rated voltage		Rated current	Contact Resistance	Cable OD (mm)
		A/C	D/C			
AS12BM05009		60V	60V	4A	10mΩ	3~8

SIGNAL [®] Shenzhen Signal Electronics co.,Ltd		TITLE M12 assembly male connector (plastic)	
		SGN NO SGNYD1605019-9	REV. AO
DRAWN BY	DATE	DWG NO AS12BM05009	
CHECKED BY	DATE	CUSTOMER	
CHECKED BY	DATE	APPROVED BY	
APPROVED BY		DATE	
<small>THE INFORMATION CONTAINED IN THIS DRAWING IS THE SOLE PROPERTY OF SIGNAL COMPANY. ANY REPRODUCTION IN PART OR WHOLE WITHOUT THE WRITTEN PERMISSION OF SIGNAL COMPANY IS PROHIBITED.</small>		TOLERANCES ARE: DECIMALES .x ±0.5 ANGLES .x' ±2.0' .xx ±0.20 .x' ±1.0'	THIRD ANGLE PROJECTION
		SIZE: A4	UNITS: mm
		SCALE:	SHEET: 1 OF 1