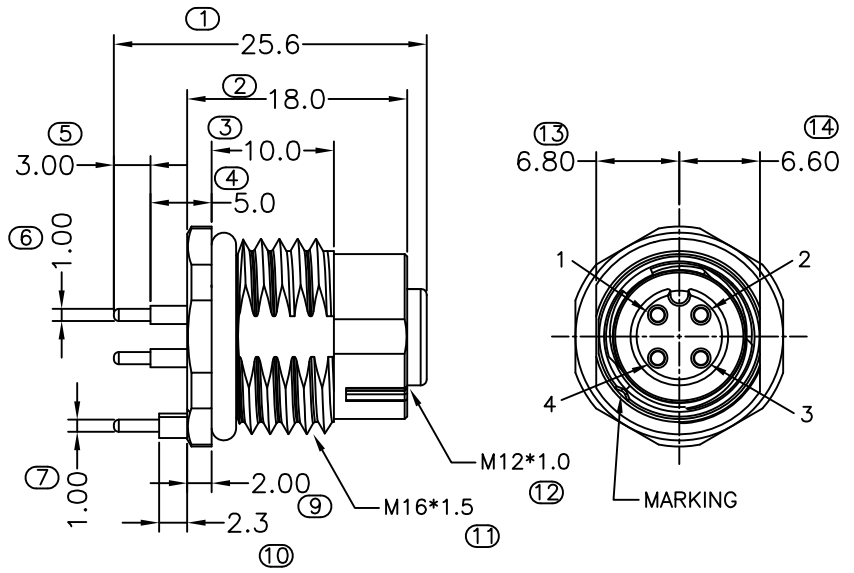
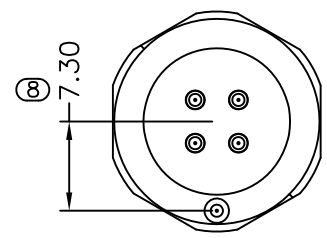


PROJECT NO:
SGNYD2211063

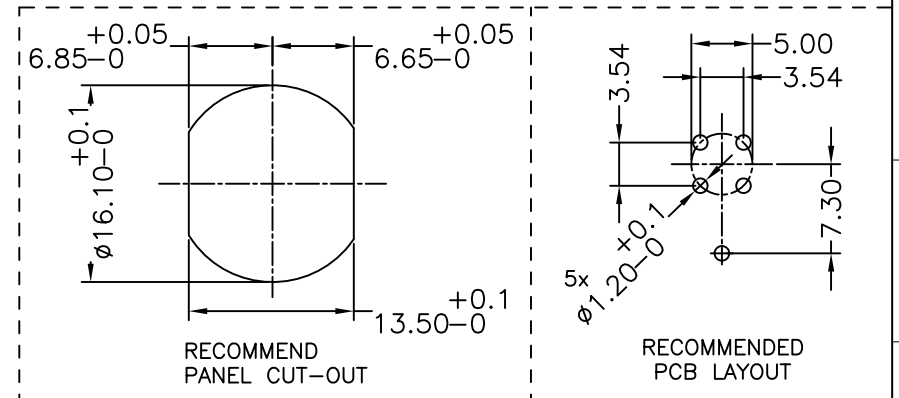
REV	DESCRIPTION	DATE	APPROVED
S0	CREATED DRAWING	2022/11/16	CYF



DETAILED PRODUCT DESCRIPTION:
WATERPROOF CONNECTOR RATING IS IP67
THEY CAN NOT BE USED PERMANENTLY UNDER WATER
PER ISO-20653, IEC60529

ELECTRICAL PROPERTIES AT +20°C
RATING VOLTAGE: 250V AC/DC
INSULATION RESISTANCE: >100MΩ
RATING CURRENT: 4A
CONTACT RESISTANCE OF CONNECTOR ≤5mΩ
MECHANICAL CHARACTERISTICS: MATING CYCLE >100 CYCLES
OPERATING TEMPERATURE: -25°C ~ +85°C
TIGHTENING TORQUE (RANGE) 0.4~1.0NM
ACCORDING TO IEC 61076-2-101

ALL MATERIALS ARE ROHS COMPLIANT



ITEM	PART NO.	SPECIFICATION	Q'TY	UNIT
⑥	N/A	M12 BRASS WITH NI PLATING FEMALE SHELL	1	PCS
⑤	GL00013	BLACK EPOXY GLUE	1	G
④	OR00008-1	M12 BLACK FKM O-RING ϕ 13.0* ϕ 2.0mm	1	PCS
③	OR00012-1	M12 BLACK FKM O-RING ϕ 7.0*1.5mm	1	PCS
②	N/A	M12 PHOSPHOR BRONZE WITH GOLD PLATING 1U" FEMALE TERMINAL, ϕ 1.0mm	4	PCS
①	N/A	M12 A TYPE 4PIN BLACK FEMALE HOUSING (PA66+GF)	1	PCS

SIGNAL[®]
Shenzhen Signal Electronics co.,Ltd

DRAWN BY		DATE		TITLE	
CHECKED BY		DATE		M12 A-CODING 4PIN FEMALE FRONT FASTENED CONNECTOR DIP	
CHECKED BY		DATE		SGN NO 120104-04-085	
APPROVED BY		DATE		DWG NO SGNYD2211063-0000	
				CUSTOMER	
				REV. SO	
TOLERANCES ARE:		THIRD ANGLE PROJECTION		SIZE: A4	
DECIMALES		ANGLES		UNITS: mm	
.x ±0.50		x.' ±2.0'		SCALE: 1:1	
.xx ±0.20		.x' ±1.0'		SHEET: 1 OF 1	

THE INFORMATION CONTAINED IN THIS DRAWING IS THE SOLE PROPERTY OF SIGNAL COMPANY. ANY REPRODUCTION IN PART OR WHOLE WITHOUT THE WRITTEN PERMISSION OF SIGNAL COMPANY IS PROHIBITED.