

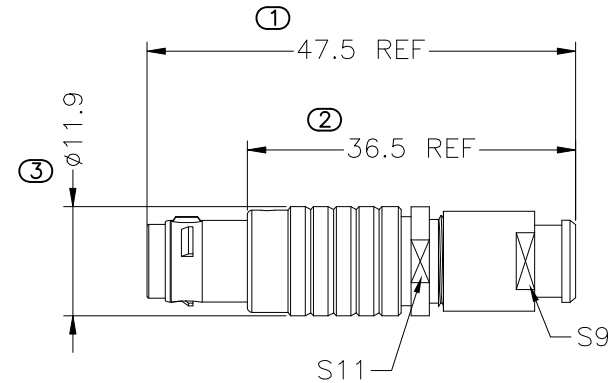


REV	DESCRIPTION	DATE	APPROVED
S0	CREATED DRAWING	2023/08/14	CYF

Electrical character


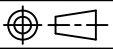
Series	PIN Number (Solder)	Terminal ϕ	Test voltage(kV rms)		Rated current(A)
			Pin-Pin	Pin-Shell	
02		1.3	1.50	1.35	15.0
03		1.3	1.30	1.55	12.0
04		0.9	1.35	1.45	10.0
05		0.9	1.25	1.15	9.0
06		0.7	1.05	1.20	7.0
07		0.7	0.95	1.05	7.0
08		0.7	0.95	1.15	5.0
10		0.5	0.90	1.50	2.5
12		0.5	0.80	1.20	2.0
14		0.5	0.80	1.20	2.0
16		0.5	0.80	0.95	1.5



DETAILED PRODUCT DESCRIPTION:
PROTECTION GRADE: IP68
MECHANICAL CHARACTERISTICS: FIT/CYCLE>5000 CYCLES
WORKING TEMPERATURE: -50°C~+150°C

CONNECTOR MATERIAL
SHELL + TAIL COVER: BRASS PLATING WHITE CHROMIUM
LOCKING SLEEVE: RIVETED COPPER
INSULATION CLIP: BRASS
CLAMP: RIVETED COPPER
INSULATOR: PPS
TERMINAL: BRASS GOLD PLATING

*ALL MATERIALS MEET ROHS STANDARD.

 ShenZhen Signal Electronics co., Ltd		TITLE PUSH PULL SELF LOCK CONNECTOR	
		SGN NO SGNFGG.1T.xx.CLACxxZ	REV.
DRAWN BY	DATE	DWG NO SGNYD2308054-2	S0
CHECKED BY	DATE	CUSTOMER	
CHECKED BY	DATE	TOLERANCES ARE:	
APPROVED BY	DATE	DECIMALES	ANGLES
<small>THE INFORMATION CONTAINED IN THIS DRAWING IS THE SOLE PROPERTY OF SIGNAL COMPANY. ANY REPRODUCTION IN PART OR WHOLE WITHOUT THE WRITTEN PERMISSION OF SIGNAL COMPANY IS PROHIBITED.</small>		.x ± 0.5	x.' $\pm 2.0^\circ$
		.xx ± 0.20	.x' $\pm 1.0^\circ$
		THIRD ANGLE PROJECTION	
		SIZE: A4	UNITS: mm
		SCALE:	SHEET: 1 OF 1