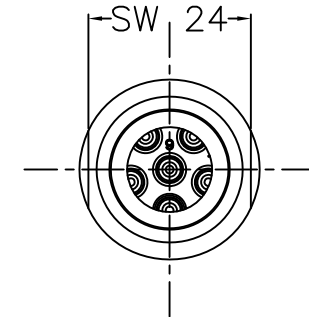
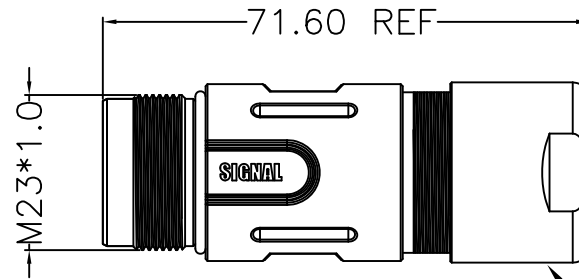
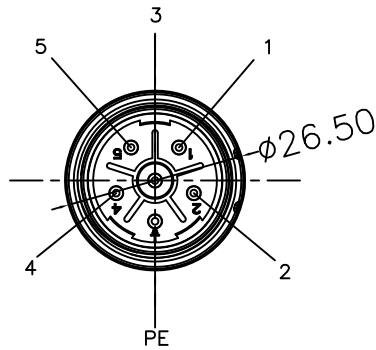
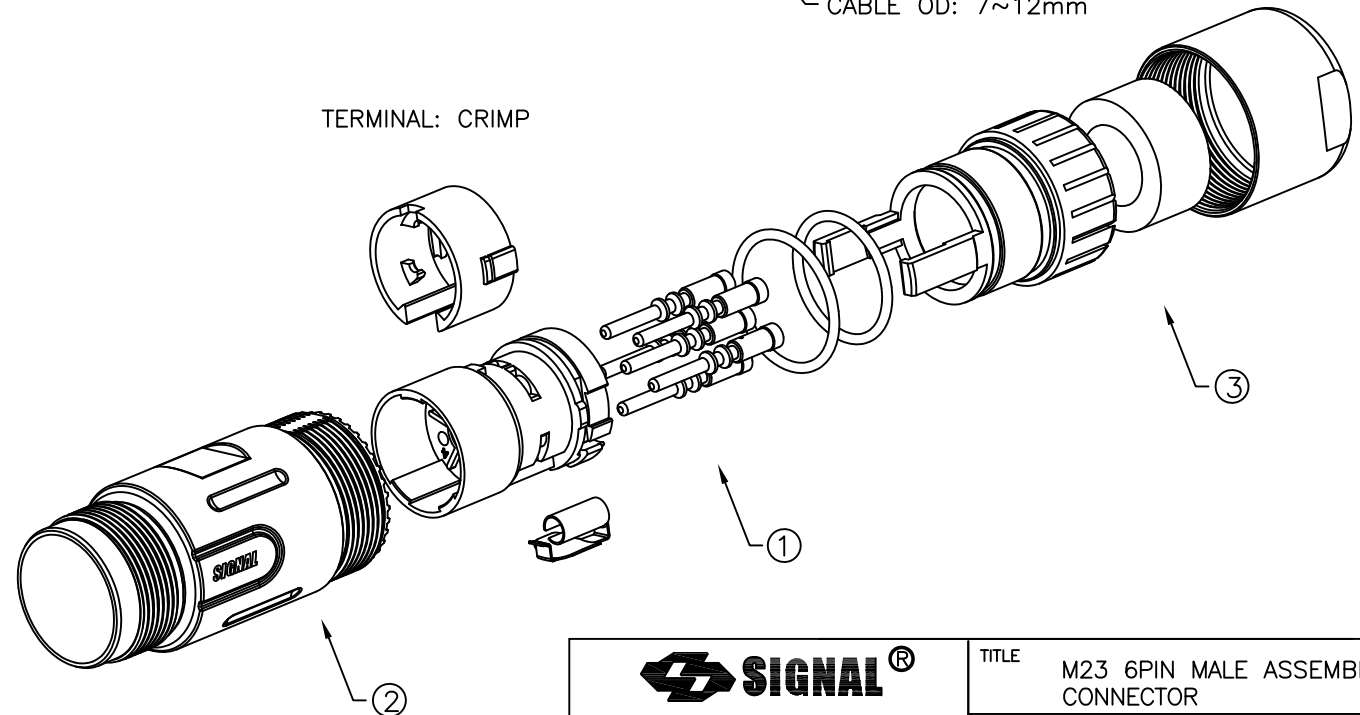


REV	DESCRIPTION	DATE	APPROVED
S0	CREATED DRAWING	2020/08/03	ZK



CABLE OD: 7~12mm

TERMINAL: CRIMP



Electrical character
 Rating voltage: 630V AC/DC
 Insulation resistance: >100MΩ
 Rating current: 30A
 Contact resistance: ≤5mΩ

Other Specification
 Contact Pin: brass with gold-plated
 Insulation plastic: PA66
 Shell: kirsite
 Protection degree: IP69K
 Operating temperature: -40°C ~ +85°C

Core wire : 18~14AWG
 Cable peeling : 30mm
 Core wire peeling : 5~6mm

*ALL MATERIALS ARE RoHS COMPLIANT.

ITEM	PART NO.	SPECIFICATION	Q'TY	UNIT
③	N/A	M23 TAIL WATERPROOF PARTS	1	SET
②	N/A	M23 ASSEMBLY SHELL	1	SET
①	N/A	M23 MALE CONNECTOR	1	SET

 Shenzhen Signal Electronics Co., LTD		TITLE M23 6PIN MALE ASSEMBLY CONNECTOR	
		SGN NO 230006-01-003-1	REV. SO
DRAWN BY	DATE	DWG NO	CUSTOMER
CHECKED BY	DATE	TOLERANCES ARE:	
CHECKED BY	DATE	DECIMALES .x ±0.5	ANGLES x.' ±2.0'
APPROVED BY	DATE	.xx ±0.20	.x' ±1.0'
<small>THE INFORMATION CONTAINED IN THIS DRAWING IS THE SOLE PROPERTY OF SIGNAL COMPANY. ANY REPRODUCTION IN PART OR WHOLE WITHOUT THE WRITTEN PERMISSION OF SIGNAL COMPANY IS PROHIBITED.</small>		THIRD ANGLE PROJECTION	
		SIZE: A4	UNITS: mm
		SCALE:	SHEET: 1 OF 1